

Owner's Manual

Model No.
16207663550US
XBU55

- Assembly
- Operation
- Adjustments
- Parts
- Warranty

CAUTION:
Read and
understand this
manual before
operating unit

SPIRIT



Retain For Future Reference

TABLE OF CONTENTS

Important Safety Precautions.....	1
Important Safety Instructions.....	2
Important Electrical Instructions.....	3
Important Operation Instructions.....	3
Assembly Instructions.....	4
Operation of Your Upright Bike.....	10
Using the Spirit Fit App.....	14
Programmable Features.....	15
Using Heart Rate Transmitter.....	21
Exploded View Diagram	23
Parts List.....	24
General Maintenance.....	27
Manufacturer's Limited Warranty.....	28

ATTENTION

This Upright Bike is intended for residential use only and is warranted for this application. Any other application voids this warranty in its entirety.

SPIRIT

**CONGRATULATIONS ON YOUR
NEW FITNESS BIKE**

Thank you for your purchase of this quality fitness bike from Dyaco Canada Inc. Your new fitness bike was manufactured by one of the leading fitness manufacturers in the world and is backed by one of the most comprehensive warranties available. Through your dealer, Dyaco Canada Inc. will do all we can to make your ownership experience as pleasant as possible for many years to come. The local dealership where you purchased this fitness bike is your administrator for all Dyaco Canada Inc. warranty and service needs. Their responsibility is to provide you with the technical knowledge and service personnel to make your experience more informed and any difficulties easier to remedy.

Please take a moment at this time to record the name of the dealer, their telephone number, and the date of purchase below to make any future, needed contact easy. We appreciate your support and we will always remember that you are the reason that we are in business. Please complete and mail your registration card today and enjoy your new bike.

Yours in Health,
Dyaco Canada Inc.

Name of Dealer _____

Dealer Phone # _____

Purchase Date _____

Product Registration

Please record the Serial Number of this fitness product in the space provided below.

Serial Number _____

REGISTER YOUR PURCHASE

The self-addressed product registration card must be completed in full and returned to Dyaco Canada Inc.

IMPORTANT SAFETY PRECAUTIONS

THIS UNIT IS INTENDED FOR HOUSEHOLD USE ONLY READ ALL INSTRUCTIONS BEFORE USING THIS UPRIGHT BIKE

When using an electrical equipment, basic precautions should always be followed, including the following:

WARNING - Read all instructions before using this equipment.

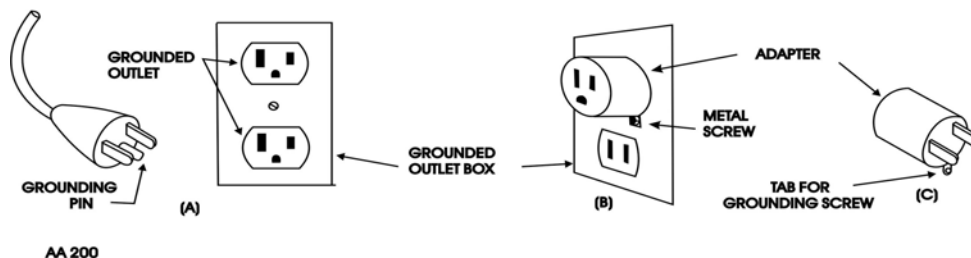
DANGER - To reduce the risk of electric shock disconnect your Spirit Fitness Bike from the electrical outlet prior to cleaning and/or service work.

WARNING - To reduce the risk of burns, fire, electric shock, or injury to persons, install the Fitness Bike on a flat level surface with access to a 110-volt, 15-amp grounded outlet with only the Fitness Bike plugged into the circuit.

Grounding Instructions

This product must be grounded. If it should malfunction or breakdown, grounding provides a path of least resistance for electric current to reduce the risk of electric shock. This product is equipped with a cord having an equipment-grounding conductor and a grounding plug. The plug must be plugged into an appropriate outlet that is properly installed and grounded in accordance with all local codes and ordinances. See diagram below for grounding methods.

Figure 1.
Grounding methods



DO NOT USE AN EXTENSION CORD UNLESS IT IS A 14 AWG OR BETTER, WITH ONLY ONE OUTLET ON THE END:

- The equipment should never be left unattended when plugged in. Unplug from outlet when not in use, and before putting on or taking off parts.
- Do not operate under blanket or pillow. Excessive heating can occur and cause fire, electric shock, or injury to persons.
- Close supervision is necessary when this equipment is used by, on, or near children, invalids, or disabled persons.
- Use this equipment only for its intended use as described in this manual. Do not use attachments not recommended by the manufacturer.
- Never operate this equipment if it has a damaged cord or plug, if it is not working properly, if it has been dropped or damaged, or dropped into water. Return the equipment to a service center for examination and repair.
- Do not carry this equipment by supply cord or use cord as a handle.
- Keep the cord away from heated surfaces.
- Never operate the equipment with the air openings blocked. Keep the air openings free of lint, hair, and the like.
- Never drop or insert any object into any opening.

- Do not use outdoors.
- Do not operate where aerosol (spray) products are being use or where oxygen is being administered.
- Connect this equipment to a properly grounded outlet only.
- The equipment is intended for household use.
- This equipment is not intended for use by persons with reduced physical, sensory or mental capabilities, or lack of experience and knowledge, unless they have been given supervision or instruction concerning use of the equipment by a person responsible for their safety.
- Keep children under the age of 13 away from this machine.

SAVE THESE INSTRUCTIONS - THINK SAFETY!

IMPORTANT SAFETY INSTRUCTIONS

To disconnect turn all controls to the off position, then remove the plug from the outlet.

- Do not operate fitness bike on deeply padded, plush or shag carpet. Damage to both carpet and fitness bike may result.
- Before beginning this or any exercise program, consult a physician. This is especially important for persons over the age of 35 or persons with pre-existing health conditions.
- Do not attempt to use your fitness bike for any purpose other than for the purpose it is intended.
- Keep hands away from all moving parts.
- The pulse sensors are not medical devices. Their purpose is to provide you with an approximate measurement in relation to your target heart rate. Use of a chest transmitter strap is a much more accurate method of heart rate analysis. Various factors, including the user's movement, may affect the accuracy of heart rate readings. The pulse sensors are intended only as exercise aids in determining heart rate trends in general.
- Wear proper shoes. High heels, dress shoes, sandals or bare feet are not suitable for use on your equipment. Quality athletic shoes are recommended to avoid leg fatigue.

Failure to follow all guidelines may compromise the effectiveness of the exercise experience, expose yourself (and possibly others) to injury, and reduce the longevity of the equipment.

IMPORTANT ELECTRICAL INSTRUCTIONS

WARNING!

NEVER use a ground fault circuit interrupt (GFCI) wall outlet with this fitness bike. Route the power cord away from any moving part of the fitness bike.

NEVER remove any cover without first disconnecting AC power. If voltage varies by ten percent (10%) or more, the performance of your fitness bike may be affected. **Such conditions are not covered under your warranty.** If you suspect the voltage is low, contact your local power company or a licensed electrician for proper testing.

NEVER expose this Fitness Bike to rain or moisture. This product is NOT designed for use outdoors, near a pool or spa, or in any other high humidity environment. The operating temperature specification is 40 to 120 degrees Fahrenheit, and humidity is 95% non-condensing. (no water drops forming on surfaces).

Circuit Breakers: Some circuit breakers used in homes are not rated for high inrush currents, (ARC fault breakers are one example) that can occur when a fitness bike is first turned on or even during use. If your fitness bike is tripping the house circuit breaker (even though it is the proper current rating) but the circuit breaker on the fitness bike itself does not trip, you will need to replace the home breaker with a high inrush type. This is not a warranty defect. This is a condition we as a manufacture have no ability to control. This part is available through most electrical supply stores. Examples: Grainger part # 1D237, or available online at www.squared.com part # QO120HM.

IMPORTANT OPERATION INSTRUCTIONS

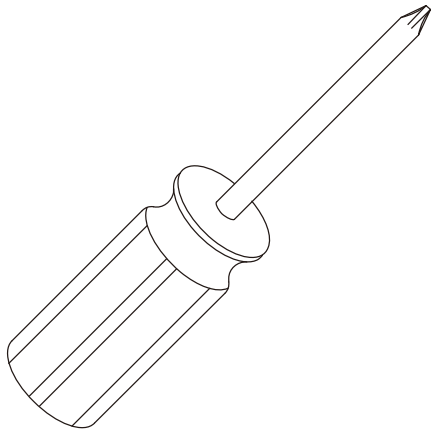
- **NEVER** operate this fitness bike without reading and completely understanding the results of any operational change you request from the computer.
- Understand that changes in resistance do not occur immediately. Set your desired resistance level on the computer console and release the adjustment key. The computer will obey the command gradually.
- **NEVER** use your fitness bike during an electrical storm. Surges may occur in your household power supply that could damage fitness bike components. Unplug the fitness bike during an electrical storm as a precaution.
- Use caution while participating in other activities while pedaling on your fitness bike; such as watching television, reading, etc. These distractions may cause you to lose balance which may result in serious injury.
- Do not use excessive pressure on console control keys. They are precision set to function properly with little finger pressure.

ASSEMBLY INSTRUCTIONS

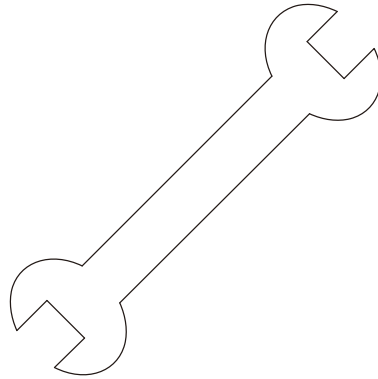
Pre-Assembly

1. Using a razor knife (Box Cutter), cut the banding straps that wrap around the carton. Reach under the bottom edge of the carton and pull it away from the cardboard underneath, separating the staples that join the two together. Lift the box over the unit and unpack.
2. Carefully remove all parts from carton and inspect for any damage or missing parts. If damaged parts are found, or parts are missing, contact your dealer immediately.
3. Locate the hardware package. The hardware is separated into four steps. Remove the tools first. Remove the hardware for each step as needed to avoid confusion. The numbers in the instructions that are in parenthesis (#) are the item number from the assembly drawing for reference.

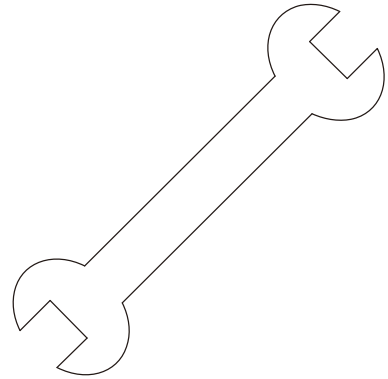
ASSEMBLY TOOLS



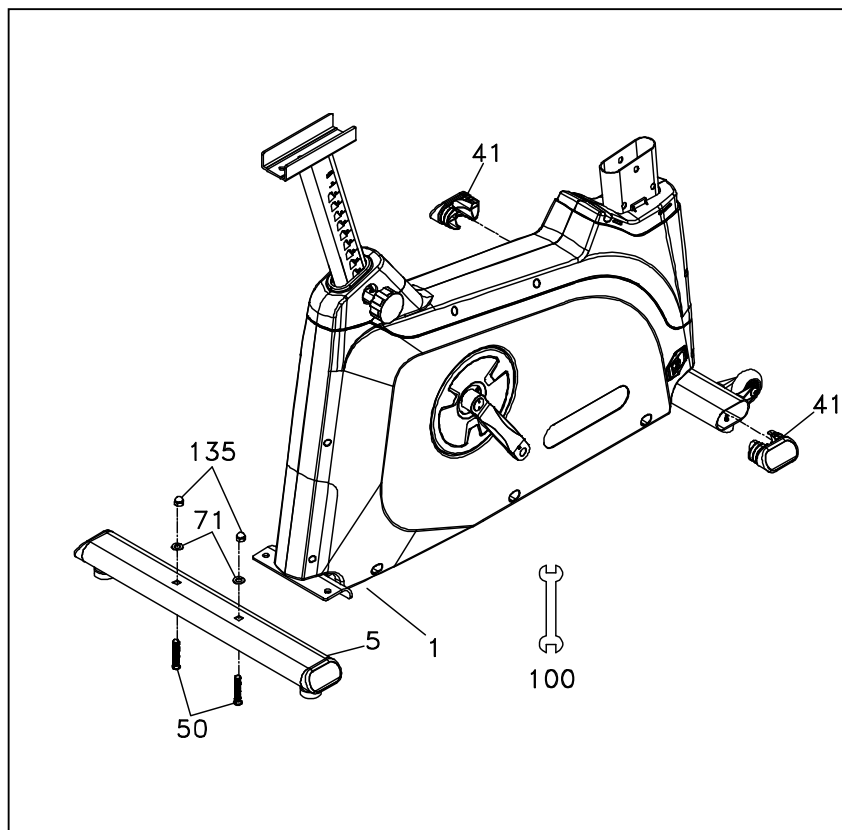
#93. Phillips Head Screwdriver



#100. 12/14mm Wrench



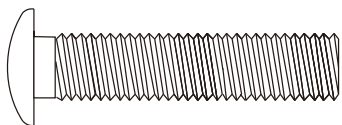
#92. 13/15mm Wrench



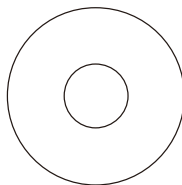
STEP 1:

1. Install the **REAR STABILIZER** (5) onto the **MAIN FRAME** (1) with the 2 **BOLTS** (50) and 2 **FLAT WASHERS** (71) and 2 **NUTS** (135). Tighten using the **WRENCH** (100).
2. Insert an **END CAP** (41) into each opening of the **FRONT STABILIZER TUBE**. You may need to tap them in with a rubber mallet if they are tight.

HARDWARE



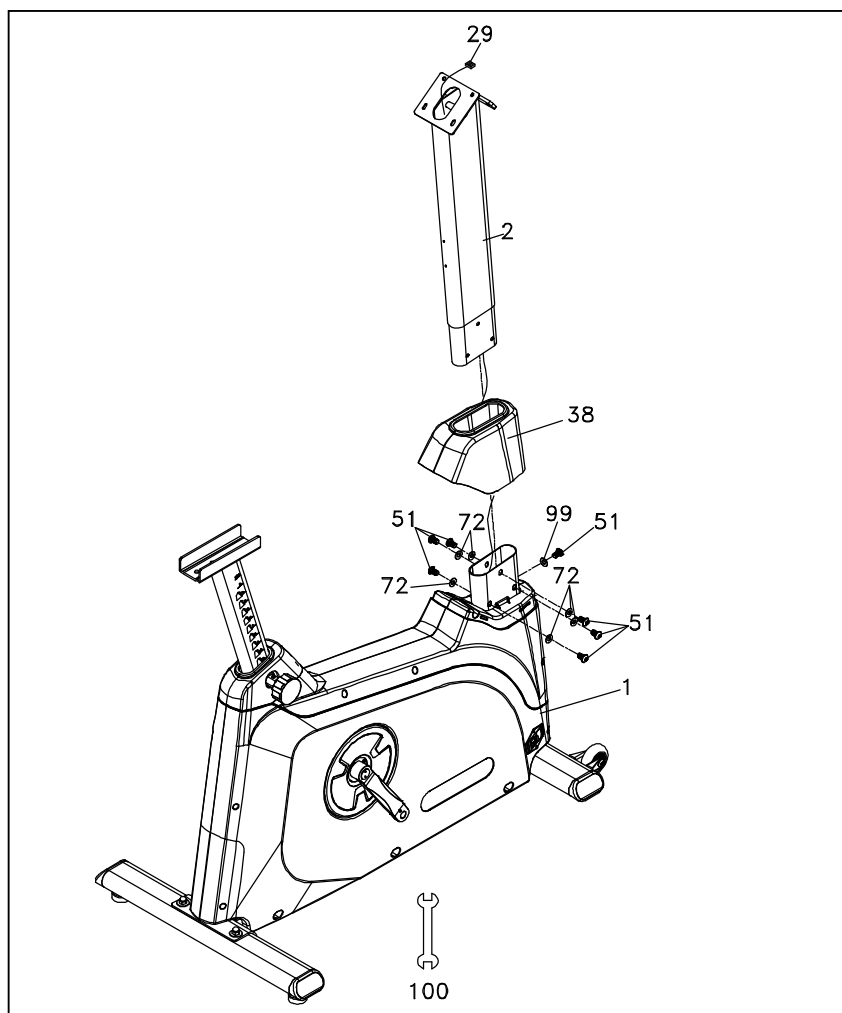
#50. 3/8" x 2"
Carriage Bolt (2 pcs)



#71. 3/8" x 25 x 2.0T
Flat Washer (2 pcs)



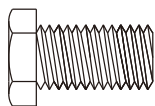
#135. 3/8" Cap Nut
(2 pcs)



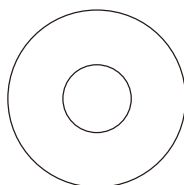
STEP 2:

1. Unravel the **COMPUTER CABLE** (29) and snake it through the **CONSOLE MAST COVER** (38) and the **CONSOLE MAST** (2) until the cable connector comes out the top opening of the console mast. **BE SURE NOT TO PINCH THE CABLE OR DAMAGE TO THE ELECTRONICS MAY OCCUR.** Slide the **CONSOLE MAST COVER** (38) onto the console mast, ensuring the correct orientation of the cover.
2. Install the **CONSOLE MAST** (2) onto the **MAIN FRAME** (1) with 7 **BOLTS** (51), 6 **FLAT WASHERS** (72) on the side bolts and 1 **CURVED WASHER** (99) on the front bolt. Tighten using the **WRENCH** (100).

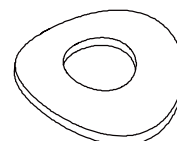
HARDWARE



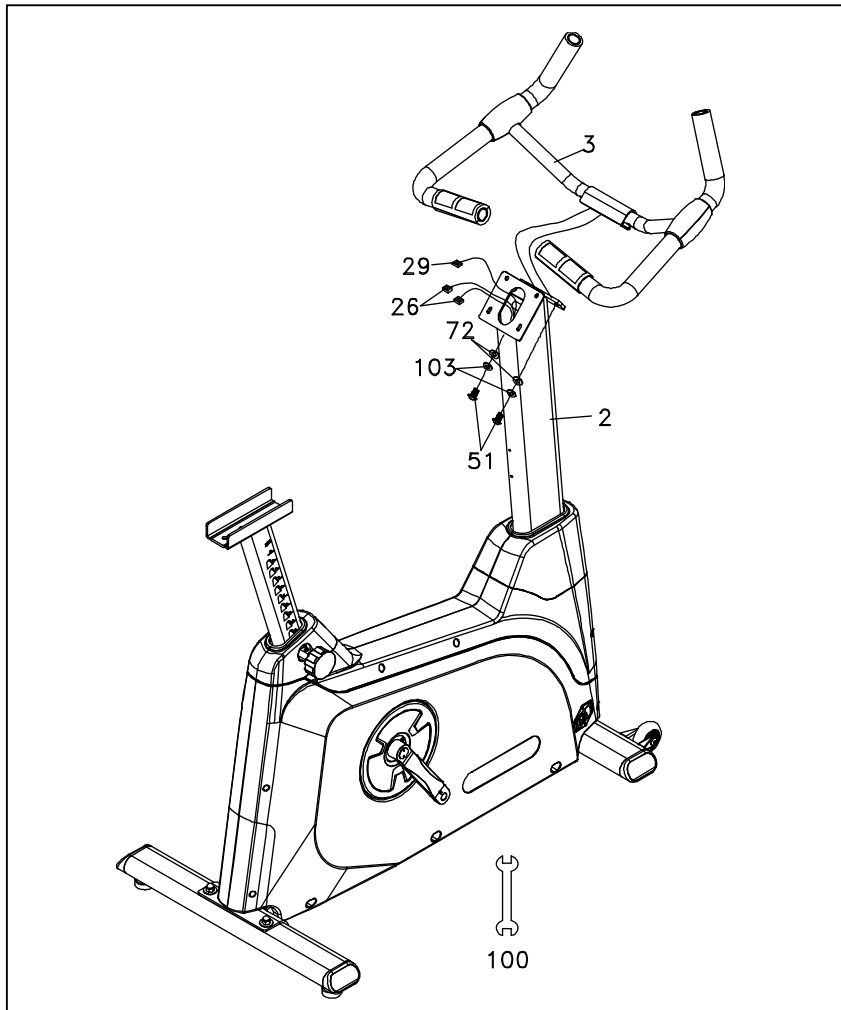
#51. 5/16" × 5/8"
Hex Head Bolt (7 pcs)



#72. 5/16" × 18 × 1.5T
Flat Washer (6 pcs)



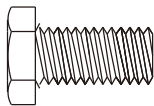
#99. 5/16" × 19 × 1.5T
Curved Washer (1 pc)



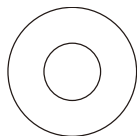
STEP 3:

1. Run the 2 **HAND PULSE WIRES** (26) into the hole in the handle bar mounting plate and out through the hole in the console plate. Remove the black plastic cover from the handlebars by cutting the plastic tie.
2. Install the **HANDLE BAR** (3) onto the **CONSOLE MAST** (2) with 2 **BOLTS** (51), 2 **FLAT WASHERS** (72), and 2 **SPLIT WASHERS** (103), being careful not to pinch the hand pulse wires. Tighten using the **WRENCH** (100). Snap the black plastic handlebar cover over the joint.

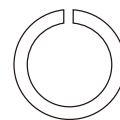
HARDWARE



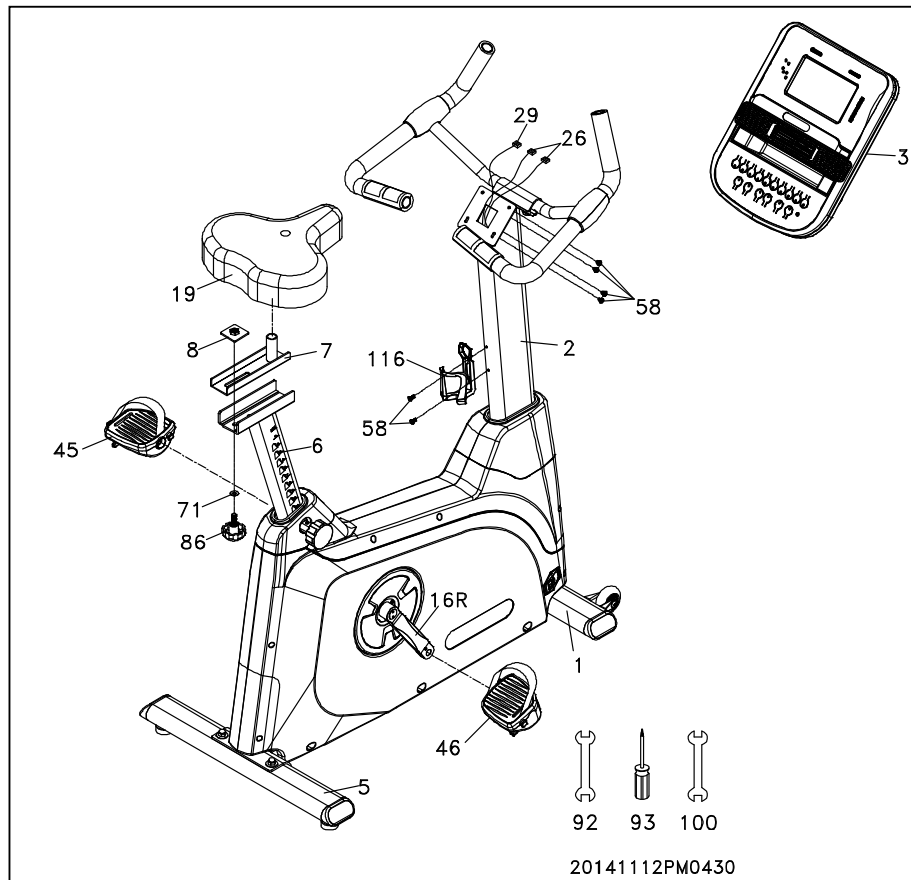
#51. 5/16" x 5/8"
Hex Head Bolt (2 pcs)



#72. 5/16" x 18 x 1.5T
Flat Washer (2 pcs)



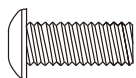
#103. 5/16" x 1.5T
Split Washer (2 pcs)



STEP 4:

1. Insert the **COMPUTER CABLE** (29) and 2 **HAND PULSE CABLES** (26) into the connectors in the back of the **CONSOLE** (34). Install the **CONSOLE** (34) onto the **CONSOLE MAST** (2). Install the 4 **PHILLIPS HEAD SCREWS** (58) with the **PHILLIPS HEAD SCREWDRIVER** (93).
2. Install the **PEDALS** (45L, 46R) onto the **CRANK ARMS** (16L, 16R). Remember that the **LEFT PEDAL** has a reverse thread and will be screwed into the crank in the **OPPOSITE ROTATION** from normal threads. There is an "L" stamped into the end of the threaded post of the left pedal and "R" in the right. Make sure to tighten the pedals as much as you possibly can. It may be necessary to re-tighten the pedals if you feel a thumping while pedaling the bike. A noise or feeling such as a thumping or clicking is usually caused by the pedals being too loose. Tighten using the **WRENCH** (92).
3. Install the **SEAT MOUNT SLIDE** (7) (post at the front) onto the track on top of the **SEAT BRACKET** (6) by sliding a **FLAT WASHER** (71) onto the **SEAT ADJUSTMENT KNOB** (86), then slide it through the slots of each and attach a **FLANGE NUT** (8) to the end. Install the **SEAT** (19) onto the seat post by securely tightening the nut on each the side, below the seat.
4. Install the **WATER BOTTLE HOLDER** (116) onto the **CONSOLE MAST** (2) with 2 **PHILLIPS HEAD SCREWS** (58). Tighten using the **PHILLIPS HEAD SCREW DRIVER** (93).

HARDWARE



#58. M5 × 12mm
Phillips Head Screw (6 pcs)

Transportation

The fitness bike is equipped with two transport wheels that are engaged when the rear of the fitness bike is lifted.

Seat Adjustability

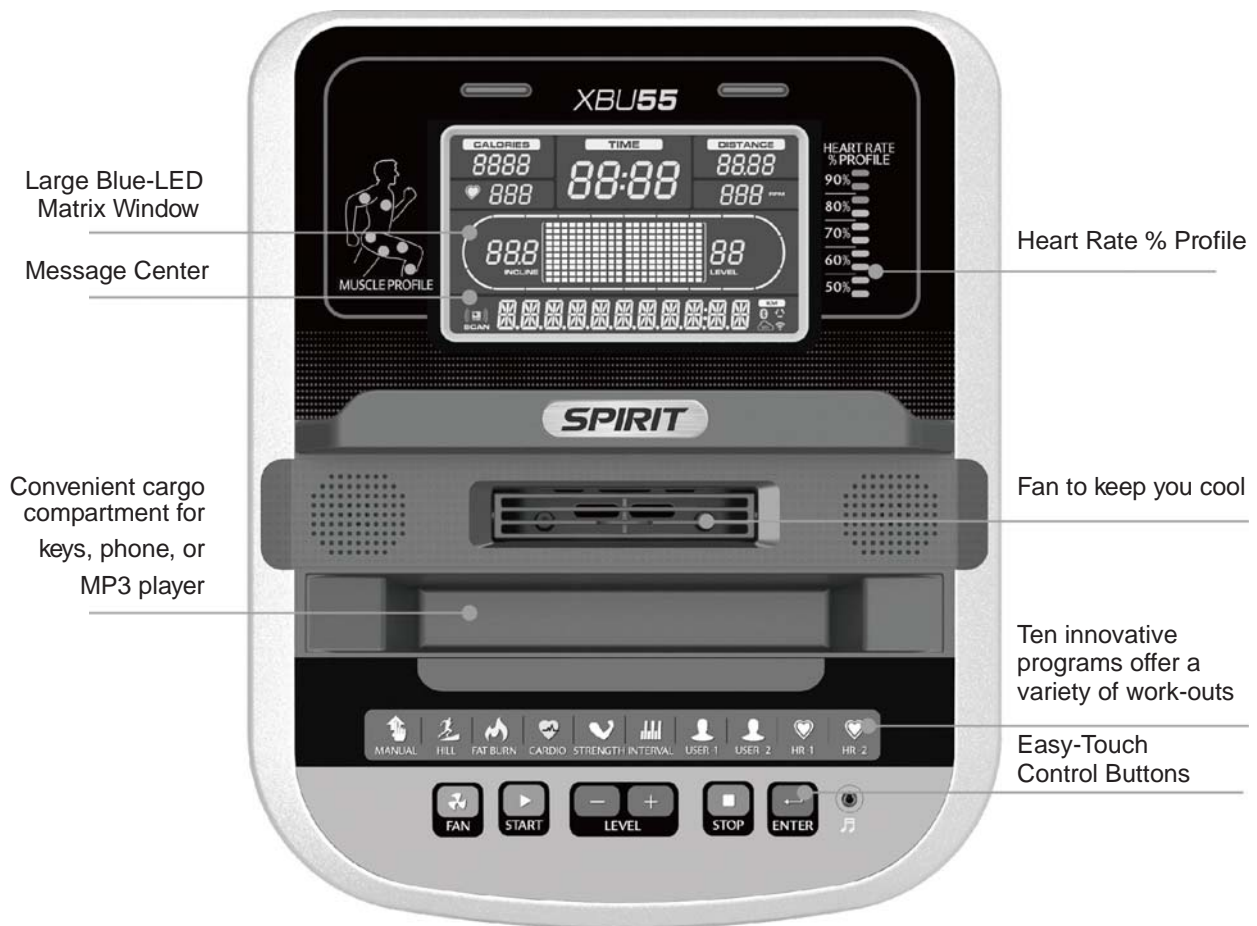
When adjusting the seat to a higher position, just pull up on the seat. The design features a ratcheting mechanism that will lock into place. If you need to lower the seat, pull horizontally on the on the right side of the frame until the post locks into one of the grooves.

Console

The console will display RPM, Calories burned, Time (elapsed or countdown), Distance travelled, Pulse, Resistance Level, Program Name, Speed, Watts, and number of Laps completed. There is also a resistance level profile graph that lets you see how hard you have worked and how challenging the upcoming segments will be.

OPERATION OF YOUR UPRIGHT BIKE

GETTING FAMILIAR WITH THE CONTROL PANEL



POWER

When the power cord is connected to the equipment, the console will automatically Power up.

When initially powered on the console will perform an internal self-test. During this time all the lights will turn on. When the lights go off, the Message Center will show the software version (i.e.: VER 1.0). The distance window shows the distance in miles and the time window shows the total hours of use.

The odometer will remain displayed for only a few seconds then the console will go to the start up display. The dot matrix display will be scrolling through the different profiles of the programs and the Message Center will be scrolling the start up message. You may now begin to use the console.

DOT MATRIX CENTER DISPLAY

Twenty columns of boxes (10 high) indicate each segment of a workout. The boxes only show an approximate level (resistance) of effort. They do not necessarily indicate a specific value - only an approximate percent to compare levels of intensity. In Manual Operation the resistance dot matrix window will build a profile "picture" as values are changed during a workout.

1/4 MILE TRACK

The 0.4 km (1/4-mile) track (one lap) will be displayed around the dot matrix window. The flashing segment indicates your progress. Once the 1/4-mile (Metric - 0.4k) is complete this feature will begin again. The Lap track will move in a counterclockwise direction.

There is a lap counter in the Message Center for monitoring your distance.

PULSE GRIP FEATURE

The Pulse (Heart Rate) console window will display your current heart rate in beats per minute during the workout. You must use both stainless steel sensors on the front cross bar or the heart rate transmitter chest strap to display your pulse. Pulse value displays anytime the upper display is receiving a Pulse signal. You may not use the Grip Pulse feature while in Heart Rate Programs.

CALORIE DISPLAY

Displays the cumulative calories burned at any given time during your workout.

Note: This is only a rough guide used for comparison of different exercise sessions, which cannot be used for medical purposes.

SPEAKERS

The console has built-in Speakers. You may plug an Audio Source (CD player, MP3, Computer, etc.) into the Jack on the right side of console. There is no volume control on the console. The volume must be controlled on the Audio Source.

QUICK START

This is the quickest way to start a workout. After the console powers up you just press the **Start** key to begin, this will initiate the Quick Start mode. In Quick Start the Time will count up from zero and the workload may be adjusted manually by pressing the **Level Up/Down** buttons. The dot matrix display will have only the bottom row lit at first. As you increase the work load more rows will light indicating a harder workout. The Upright Bike will get harder to pedal as the rows increase.

There are 20 levels of resistance available for plenty of variety. The first 5 levels are very easy workloads and the changes between levels are set to a good progression for de-conditioned users. Levels 6-10 are more challenging, but the increases in resistance from one level to the next remain small. Levels 11-15 start getting tough as the levels jump more dramatically. Levels 16-20 are extremely hard and are good for short interval peaks and elite athletic training.

MUSCLE ACTIVATION FIGURE

There is an anatomical figure located at the top of the console. This figure will light all areas that are activated when using the bike. These will light up during any of the programs. You can control which muscles are activated by customizing the resistance profile during the set up phase of console programming. If you accept the default program profile, the selected program will determine which muscles will be activated by automatically adjusting the resistance. Generally the following guidelines hold true:

- The upper body LED's will not light
- The lower body lights will activate in three degrees of engagement: Green represents minimal muscle involvement, yellow represents medium involvement, and red represents full or heavy activation.
- These are the different scenarios for lower body muscle activation:
 - Levels 1-10: Green – Hamstrings & Gluteals light up; Amber – Quadriceps & Calves light up
 - Levels 11-20: Amber – Hamstrings & Gluteals light up; Red Quadriceps & Calves light up

HEART RATE % PROFILE

The console LCD screen will display your current heart rate anytime a pulse is detected. The Bar Graph, located to the right of the LCD screen, will show your current heart rate % in relation to your projected maximum heart rate, which is determined by your age that you entered during the programming phase of any of the 10 programs. The significance of the bar graph colors are as follows:

- 50-60% of maximum is Amber
- 65-80% of maximum is Amber and Green
- 85-90% or more is Amber, Green, and Red

BASIC INFORMATION

The Message Center will initially be displaying the Program name. When in scan mode during a program, speed will be displayed for four seconds, then move on and display Watts (indication of workload). If 100 watts is displayed, you are doing enough work to keep a 100-watt light bulb lit. The data changes to Laps completed, Segment time, Max level. Pressing the Enter button again will bring you back to the beginning.

The **Stop** button actually has several functions. Pressing the **Stop** key once during a program will pause the program for 5 minutes. If you need to get a drink, answer the phone or any of the many things that could interrupt your workout, this is a great feature. To resume your workout during Pause, just press the **Start** key. If the **Stop** button is pressed twice during a workout, the program will end and the console will display your Workout Summary (Total time, Avg. Speed, Avg. Watts, Avg. HR, total Laps). If the **Stop** key is held down for 3 seconds or a third time during the program, the console will perform a complete Reset. During data entry for a program the **Stop** key performs a previous screen or segment function. This allows you to go back to change programming data.

PROGRAM KEYS

The Program Keys are used to preview each program. When you first turn the console on you may press each program key to preview what the program profile looks like. If you decide that you want to try a program, press the corresponding program key and then press the **Enter** key to select the program and enter into the data-setting mode.

The Upright Bike has a built in heart rate monitoring system. Simply grasping the hand pulse sensors on the stationary handle bars or wearing the heart rate transmitter (see Using Heart Rate Transmitter section) will start the Heart Icon blinking (this may take a few seconds). The Pulse Display Window will display your heart rate, or Pulse in beats per minute.

The console includes a built-in fan to help keep you cool. To turn the fan on, press the button on the left side of the console.

PROGRAMING THE CONSOLE

Each of the programs can be customized with your personal information and changed to suit your needs. Some of the information asked for is necessary to ensure the readouts are correct. You will be asked for your Age and Weight. Entering your Age is necessary during the Heart Rate programs to ensure the correct settings are in the program for your Age. Otherwise the work settings could be too we cannot provide an exact calorie count, we do want to be as close as possible.

CALORIE NOTE: *Calorie readings on every piece of exercise equipment, whether it is in a gym or at home, are not accurate and tend to vary widely. They are meant only as a guide to monitor your progress from workout to workout. The only way to measure your calorie burn accurately is in a clinical setting connected to a host of machines. This is because every person is different and burns calories at a different rate. Some good news is that you will continue to burn calories at an accelerated rate for at least an hour after you have finished exercising!*

ENTERING A PROGRAM & CHANGING SETTINGS

When you enter a program, by pressing a program key, then Enter key, you have the option of entering your own personal settings. If you want to work out without entering new settings, then just press the **Start** key. This will bypass the programming of data and take you directly to the start of your workout. If you want to change the personal settings then just follow the instructions in the Message Center. If you start a program without changing the settings, the default or saved settings will be used.

NOTE: *Age and Weight default settings will change when you enter a new number. So the last Age and Weight entered will be saved as the new default settings. If you enter your Age and Weight the first time you use the Upright Bike, you will not have to enter it every time you work out unless either your Age or Weight changes or someone else enters a different Age and Weight.*

USING THE SPIRIT FIT APP

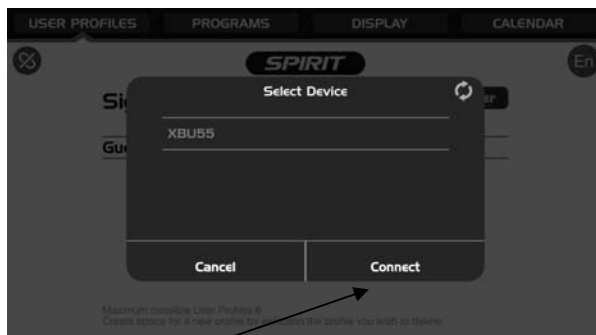
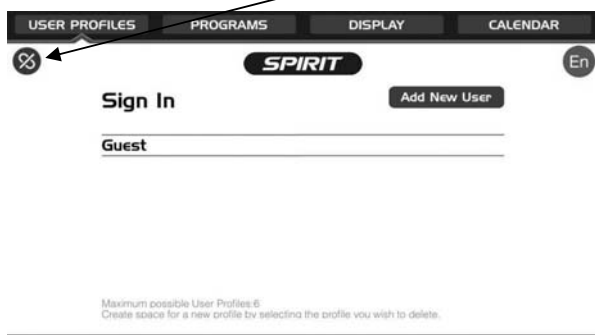
In order to help you achieve your exercise goals, your new exercise machine comes equipped with a Bluetooth® transceiver that will allow it to interact with selected phones or tablet computers via the Spirit Fit App.

Just download the free Spirit Fit App from the Apple Store or Google Play, and then follow the instructions in the App to sync with your exercise machine. Now you can view current workout data in three different Display screens on your device. You can also easily switch back and forth from the workout display view to internet/social media/email sites via icons on the display screen. When your workout is finished, the data is automatically saved to the built-in personal calendar for future reference.

The Spirit Fit App also allows you to sync your workout data with one of many fitness cloud sites we support: iHealth, MapMyFitness, Record or Fitbit, with more to come.

Syncing the App with your exercise machine:

1. Download the App.
2. Open the App on your device (phone or tablet) and make sure Bluetooth® is enabled on your device (phone or tablet).
3. In the App click the icon in the top left corner to search for your Spirit equipment (shown right).



4. After the equipment is detected, click Connect. When the App and equipment are synced, the Bluetooth® icon on the equipment's console display will light up. You may now start using your new Spirit Fitness product.
5. When your workout is finished, the data is automatically saved and you will be prompted to sync your data with each available fitness cloud site. Please note you will have to download the applicable compatible fitness App, such as iHealth, MapMyFitness, Record, Fitbit, etc, in order for the icon to be active and available.

***Note: Your device will need to be running on a minimum operating system of iOS 7 or Android 4.4 for the Spirit Fit App to operate properly.**

PROGRAMMABLE FEATURES

MANUAL

The Manual program works as the name implies, manually. This means that you control the workload and not the computer. To start the Manual program, follow the instructions below or just press the **Manual** button, then the **Enter** button and follow the directions in the Message Center.

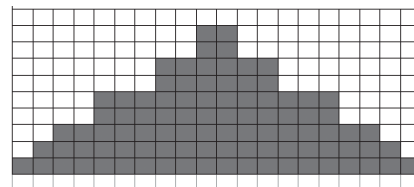
1. Press the **Manual** key, then press the **Enter** key.
2. The Message Center will ask you to enter your Age. You may enter your age, using the Level Up/Down keys, then press the **Enter** key to accept the new value and proceed on to the next screen.
3. You are now asked to enter your Weight. You may adjust the Weight value using the Level **Up/Down** keys, then press **Enter** to continue.
4. Next is Time. You may adjust the Time and press **Enter** to continue.
5. Now you are finished editing the settings and can begin your workout by pressing the **Start** key. You can also go back and modify your settings by pressing the **Enter** key.
6. Once the program starts you will be at level one. This is the easiest level and it is a good idea to stay at level one for a while to warm up. If you want to increase the work load at any time press the Level Up key; the Level Down key will decrease the work-load.
7. During the Manual program you will be able to scroll through the data in the Message Center by pressing the **Enter** key.
8. When the program ends you may press **Start** to begin the same program again or **Stop** to exit the program or you can save the program you just completed as a custom user program by pressing a **User** key and following the instructions in the Message Center.

PRESET PROGRAMS

The Upright Bike has five different programs that have been designed for a variety of workouts. These five programs have factory preset work level profiles for achieving different goals.

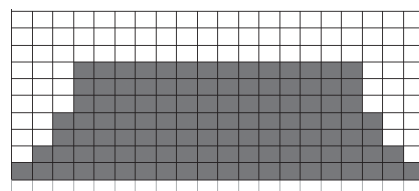
HILL

This program follows a triangle or pyramid type of gradual progression from approximately 10% of maximum effort (the level that you chose before starting this program) up to a maximum effort which lasts for 10% of the total workout time, then a gradual regression of resistance back to approximately 10% of maximum effort.



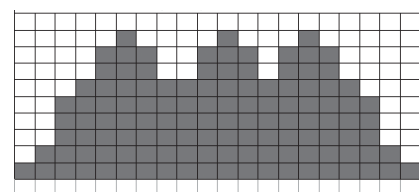
FAT BURN

This program follows a quick progression up to the maximum Resistance level (default or user input level) that is sustained for 2/3 of the workout. This program will challenge your ability to sustain your energy output for an extended period of time.



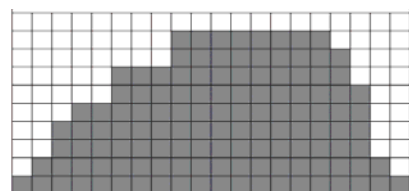
CARDIO

This program presents a quick progression up to near maximum resistance level (default or user input level). It has slight fluctuations up and down to allow your heart rate to elevate, and then recover repeatedly, before beginning a quick cool down. This will build up your heart muscle and increase blood flow and lung capacity.



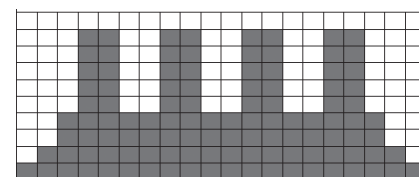
STRENGTH

Resistance: This program has a gradual progression of resistance up to 100% of maximum effort that is sustained for 25% of workout duration. This will help build strength and muscular endurance in the lower body and glutes. A brief cool down follows.



INTERVAL

This program takes you through high levels of intensity followed by recovery periods of low intensity. This program utilizes and develops your “Fast Twitch” muscle fibers which are used when performing tasks that are intense and short in duration. These deplete your oxygen level and spike your heart rate, followed by periods of recovery and heart rate drop to replenish oxygen. Your cardiovascular system gets programmed to use oxygen more efficiently.



PROGRAMMING PRESET PROGRAMS

1. Select the desired program button then press the **Enter** key.
2. The Message Center will ask you to enter your Age. You may adjust the age setting, using **the Up and Down** keys, then press the **Enter** key to accept the new number and proceed on to the next screen.
3. You are now asked to enter your Weight. You may adjust the weight number using the **Up and Down** keys, then press **Enter** to continue.
4. Next is Time. You may adjust the Time and press **Enter** to continue.
5. Now you are asked to adjust the Max Resistance Level. This is the peak exertion level you will experience during the program (at the top of the hill). Adjust the level and then press **Enter**.
6. Now you are finished editing the settings and can begin your workout by pressing the **Start** key. You can also go back and modify your settings by pressing the **Stop** key to go back one level, or screen.
7. If you want to increase or decrease the workload at any time during the program press the **Up or Down** key. This will change the resistance settings of the entire profile, although the profile picture on the screen will not change. The reason for this is so that you can see the entire profile at all times. If the profile picture is changed, it also would be distorted and not a true representation of the actual profile. When you make a change to the resistance, the Message Center will show the current column and program maximum levels of work.
8. During the program you will be able to scroll through the data in the Message Center the message Center by pressing the **Enter** key.
9. When the program ends the Message Center will show a summary of your workout. The summary will be displayed for a short time then the console will return to the star t-up display.

CUSTOM USER DEFINED PROGRAMS

There are two customizable User programs that allow you to build and save your own workout. The two programs, User 1 and User 2, operate exactly the same way so there is no reason to describe them separately. You can build your own custom program by following the instructions below or you can save any other preset program you complete as a custom program. Both programs allow you to further personalize it by adding your name.

1. Select the User program (U1 or U2) then press **Enter**. If you have already saved a program to either U1 or U2, it will be displayed and you are ready to begin. If not, you will have the option of inputting a username. In the Message Center, the letter "A" will be blinking. Use the Level **Up/Down** buttons to select the appropriate first letter of your name (pressing the Level **Up** button will switch to the letter "B"; pressing the Down button will switch to letter "Z"). Press **Enter** when the desired letter is displayed. Repeat this process until all of the characters of your name have been programmed (maximum 7 characters). When finished press **Stop**.
2. If there is a program already stored in User when you press the key, you will have an option to run the program as it is or delete the program and build a new one. At the welcome message screen, when pressing **Start or Enter** you will be prompted: Run Program? Use the Level **Up/Down** to select Yes or No. If you select No, you will then be asked if you want to delete the currently saved program. It is necessary to delete the current program if you want to build a new one. The Message Center will ask you to enter your Age. You may enter your age, using the Level **Up/Down** keys, then press the **Enter** key to accept the new value and proceed on to the next screen.
3. The Message Center will ask you to enter your Age. You may enter your age, using the Level **Up/Down** keys, then press the **Enter** key to accept the new value and proceed on to the next screen.
4. You are now asked to enter your Weight. You may adjust the weight value using the Level **Up/Down** keys or the numeric key pad, then press **Enter** to continue.
5. Next is Time. You may adjust the time and press **Enter** to continue.
6. Now you are asked to adjust the Max Resistance Level of the program, press **Enter** when resistance has been selected.
7. Now the first column will be blinking and you are asked to adjust the resistance level for the first segment (SEGMENT> 1) of the workout by using the Level **Up/Down** key. When you finish adjusting the first segment, or if you don't want to change, then press **Enter** to continue to the next segment.
8. The next segment will show the same workload resistance level as the previously adjusted segment. Repeat the same process as the last segment then press **Enter**. Continue this process until all twenty segments have been set.
9. The Message Center will then tell you to press **Enter** to save the program. After saving the program the Message Center says "program saved" then will give you the option to start or modify the program. Pressing **Stop** will exit to the start up screen.

HEART RATE PROGRAMS

The old motto, “no pain, no gain”, is a myth that has been overpowered by the benefits of exercising comfortably. A great deal of this success has been promoted by the use of heart rate monitors. With the proper use of a heart rate monitor, many people find that their usual choice of exercise intensity was either too high or too low and exercise is much more enjoyable by maintaining their heart rate in the desired benefit range.

To determine the benefit range in which you wish to train, you must first determine your Maximum Heart Rate. This can be accomplished by using the following formula: 220 minus your age. This will give you the Maximum Heart Rate (MHR) for someone of your age. To determine the effective heart rate range for specific goals you simply calculate a percentage of your MHR. Your Heart rate training zone is 50% to 90% of your maximum heart rate. 60% of your MHR is the zone that burns fat while 80% is for strengthening the cardio vascular system. This 60% to 80% is the zone to stay in for maximum benefit.

For someone who is 40 years old their target heart rate zone is calculated:

$$220 - 40 = 180 \text{ (maximum heart rate)}$$

$$180 \times .6 = 108 \text{ beats per minute}$$

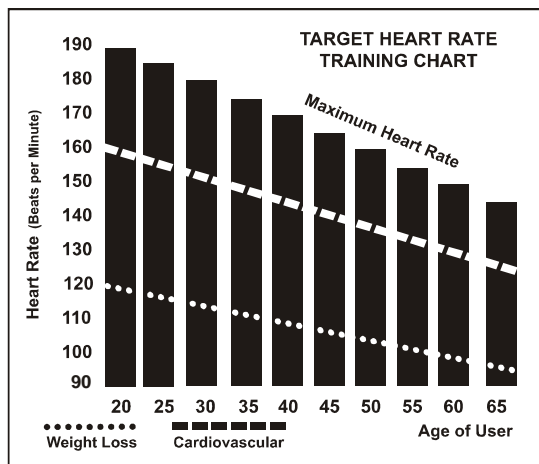
(60% of maximum)

$$180 \times .8 = 144 \text{ beats per minute}$$

(80% of maximum)

So for a 40 year old the training zone would be 108 to 144 beats per minute.

If you enter your age during programming the console will perform this calculation automatically. Entering your age is used for the Heart Rate programs. After calculating your MHR you can decide upon which goal you would like to pursue.



The two most popular reasons for, or goals, of exercise are cardiovascular fitness (training for the heart and lungs) and weight control. The black columns on the chart above represent the MHR for a person whose age is listed at the bottom of each column. The training heart rate, for either cardiovascular fitness or weight loss, is represented by two different lines that cut diagonally through the chart. A definition of the lines' goal is in the bottom left-hand corner of the chart. If your goal is cardiovascular fitness or if it is weight loss, it can be achieved by training at 80% or 60% respectively, of your MHR on a schedule approved by your physician. Consult your physician before participating in any exercise program.

RATE OF PERCEIVED EXERTION

Heart rate is important but listening to your body also has a lot of advantages. There are more variables involved in how hard you should workout than just heart rate. Your stress level, physical health, emotional health, temperature, humidity, the time of day, the last time you ate and what you ate, all contribute to the intensity at which you should workout. If you listen to your body, it will tell you all of these things.

The rate of perceived exertion (RPE), also know as the Borg scale, was developed by Swedish physiologist G.A.V. Borg. This scale rates exercise intensity from 6 to 20 depending upon how you feel or the perception of your effort.

The scale is as follows:

Rating Perception of Effort

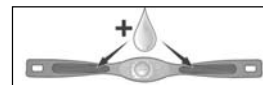
- 6 Minimal
- 7 Very, very light
- 8 Very, very light +
- 9 Very light
- 10 Very light +
- 11 Fairly light
- 12 Comfortable
- 13 Somewhat hard
- 14 Somewhat hard +
- 15 Hard
- 16 Hard +
- 17 Very hard
- 18 Very hard +
- 19 Very, very hard
- 20 Maximal

You can get an approximate heart rate level for each rating by simply adding a zero to each rating. For example a rating of 12 will result in an approximate heart rate of 120 beats per minute. Your RPE will vary depending up the factors discussed earlier. That is the major benefit of this type of training. If your body is strong and rested, you will feel strong and your pace will feel easier. When your body is in this condition, you are able to train harder and the RPE will support this. If you are feeling tired and sluggish, it is because your body needs a break. In this condition, your pace will feel harder. Again, this will show up in your RPE and you will train at the proper level for that day.

USING HEART RATE TRANSMITTER

How to wear your wireless chest strap transmitter:

1. Attach the transmitter to the elastic strap using the locking parts.
2. Adjust the strap as tightly as possible as long as the strap is not too tight to remain comfortable.
3. Position the transmitter with the logo centered in the middle of your torso facing away from your chest (some people must position the transmitter slightly left of center). Attach the final end of the elastic strap by inserting the round end and, using the locking parts, secure the transmitter and strap around your chest.
4. Position the transmitter directly below the pectoral muscles.
5. Sweat is the best conductor to measure very minute heart beat electrical signals. However, plain water can also be used to pre-wet the electrodes (2 ribbed oval areas on the reverse side of the belt and both sides of the transmitter). It's also recommended that you wear the transmitter strap a few minutes before your work out. Some users, because of body chemistry, have a more difficult time in achieving a strong, steady signal at the beginning. After "warming up", this problem lessens. As noted, wearing clothing over the transmitter/strap doesn't affect performance.
6. Your workout must be within range - distance between transmitter/receiver – to achieve a strong steady signal. The length of range may vary somewhat but generally stay close enough to the console to maintain good, strong, reliable readings. Wearing the transmitter directly on bare skin assures you of proper operation. If you wish, you may wear the transmitter over a shirt. To do so, wet the areas of the shirt that the electrodes will rest upon.



Note: The transmitter is automatically activated when it detects activity from the user's heart. Additionally, it automatically deactivates when it does not receive any activity. Although the transmitter is water resistant, moisture can have the effect of creating false signals, so you should take precautions to completely dry the transmitter after use to prolong battery life (estimated transmitter battery life is 2500 hours). The replacement battery is Panasonic CR2032.

ERRATIC OPERATION

Caution! Do not use this Upright Bike for Heart Rate programs unless a steady, solid Actual Heart Rate value is being displayed. High, wild, random numbers being displayed indicate a problem.

Areas to look for interference which may cause erratic heart rate:

1. Microwave ovens, TV's, small appliances, etc.
2. Fluorescent lights.
3. Some household security systems.
4. Perimeter fence for a pet.
5. Some people have problems with the transmitter picking up a signal from their skin. If you have problems try wearing the transmitter upside down.
6. The antenna that picks up your heart rate is very sensitive. If there is an outside noise source, turning the whole machine 90 degrees may de-tune the interference.
7. Another Individual wearing a transmitter within 3' of your machine's console.

If you continue to experience problems contact your dealer.

HEART RATE PROGRAM OPERATION

Note: You must wear the heart rate transmitter strap for these programs

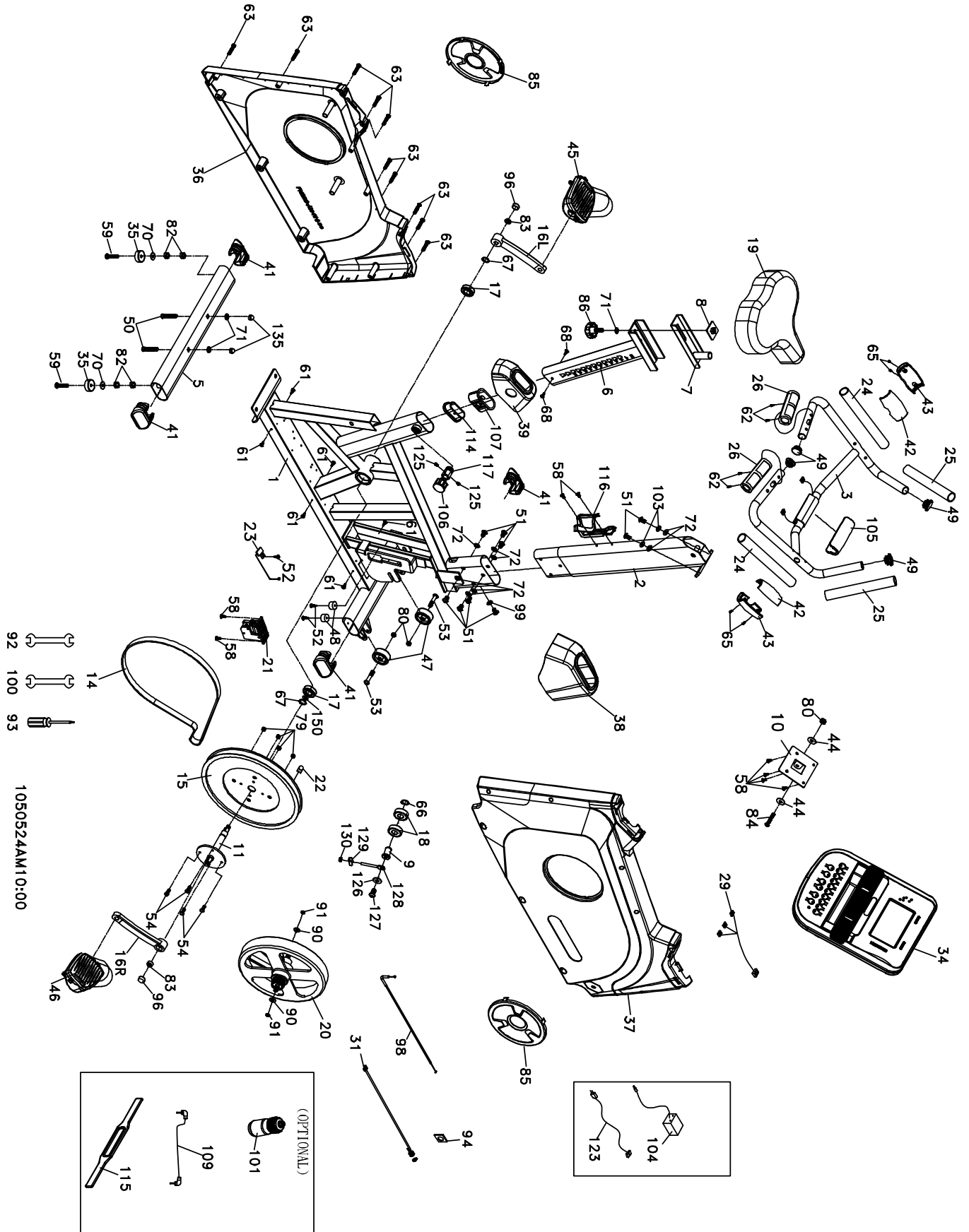
Both programs operate the same, the only difference is that **HR1** is set to 60% and **HR2** is set to 80% of the maximum heart rate. They both are programmed the same way.

To start an HR program follow the instructions below or just select the **HR1** or **HR2** program, then the **Enter** button and follow the directions in the Message Center.

After selecting your heart rate target the program will attempt to keep you at or within 3-5 heart beats per minute of this value. Follow the prompts in the Message Center to maintain your selected heart rate value.

1. Press the **HR 1** or **HR 2** key then press the **Enter** key.
2. The Message Center will ask you to enter your Age. You may enter your age, using the **LEVEL + / -** keys, then press the **Enter** key to accept the new value and proceed on to the next screen.
3. You are now asked to enter your Weight. You may adjust the weight value using the **LEVEL + / -** keys, then press **Enter** to continue.
4. Next is Time. You may adjust the time and press **Enter** to continue.
5. Now you are asked to adjust the Heart Rate Target. This is the heart rate level you will strive to maintain during the program. Adjust the level using the **LEVEL + / -** keys, then press **Enter**. *Note: The heart rate that appears is based on the % you accepted in Step 1. If you change this number it will either increase or decrease the % from Step 1.*
6. Now you are finished editing the settings and can begin your workout by pressing the **Start** key. You can also go back and modify your settings by pressing the **Enter** key.
7. If you want to increase or decrease the workload at any time during the program press the **LEVEL + / -** key. This will allow you to change your target heart rate at any time during the program.
8. During the HR 1 or HR 2 programs you will be able to scroll through the data in the Message Center by pressing the **Enter** key.
9. When the program ends you may press **Start** to begin the same program again or **Stop** to exit the program.

EXPLODED VIEW DIAGRAM



PARTS LIST

KEY NO.	PART NO.	DESCRIPTION	Q'TY
1	6635501	Main Frame	1
2	6635502	Console Mast	1
3	6635503	Handle Bar	1
5	6635505	Rear Stabilizer	1
6	6635506	Seat Bracket	1
7	6635507	Seat Mount Slide	1
8	6635508	Flange Nut	1
9	6635509	Bearing Housing	1
10	6635510	Console Holder Assembly	1
11	6635511	Crank Axle	1
14	6635514	Drive Belt	1
15	6635515	Drive Pulley	1
16L	6635516L	Crank Arm(L)	1
16R	6635516R	Crank Arm(R)	1
17	6635517	6004_Bearing	2
18	6635518	6203_Bearing	2
19	6635519	Seat	1
20	6635520	Flywheel	1
21	6635521	Gear Motor	1
22	6635522	Magnet	1
23	6635523	400m/m_Sensor W/Cable	1
24	6635524	1" x 5T x 290m/m_Handgrip Foam	2
25	6635525	1" x 5T x 205m/m_Handgrip Foam	2
26	6635526	800m/m_Handpulse W/Cable Assembly (R)	2
29	6635529	1200m/m_Computer Cable	1
31	6635531	900m/m_DC Power Cable	1
34	6635534	Console Assembly	1
34~1	6635534-1	Console Top Cover	1
34~2	6635534-2	Console Bottom Cover	1
34~3	6635534-3	Book Rack	1
34~4	6635534-4	Console Bottom Cover	1
34~5	6635534-5	Deflector Fan Grill	1
34~6	6635534-6	Wind Duct (R)	1
34~7	6635534-7	Wind Duct (L)	1
34~8	6635534-8	Water-resist Rubber	1
34~9	6635534-9	Fan Fixing Plate	2
34~10	6635534-10	LCD Transparent Piece	1
34~11	6635534-11	Speaker Grill Anchor	6

KEY NO.	PART NO.	DESCRIPTION	Q'TY
34~12	6635534-12	Fan Grill Anchor	2
34~13	6635534-13	Fan Assembly	1
34~14	6635534-14	Console Display Board	1
34~15	6635534-15	Key Board	1
34~16	6635534-16	Interface Board	1
34~17	6635534-17	300m/m_W/Receiver, HR	1
34~18	6635534-18	300m/m_Speaker W/Cable	2
34~19	6635534-19	Amplifier Controller	1
34~20	6635534-20	350m/m_Earphone socket w/cable & securing metal	1
34~21	6635534-21	250m/m_Amplifier Cable	1
34~22	6635534-22	Bluetooth	1
35	6635535	Ø35 x 10m/m_Rubber Foot	2
36	6635536	Chain Cover (L)	1
37	6635537	Chain Cover (R)	1
38	6635538	Console Mast Cover	1
39	6635539	Seat Post Cover	1
41	6635541	Handgrip End Cap	4
42	6635542	Handgrip Side Cap (Top)	2
43	6635543	Handgrip Side Cap (Bottom)	2
44	6635544	5/16" x 25 x 3T_Nylon Washer	2
45	6635545	Pedal(L)	1
46	6635546	Pedal(R)	1
47	6635547	Transportation Wheel	2
48	6635548	25 x 25 x 15T_Rubber Foot Pad	2
49	6635549	Ø25.4 x 2.0T_Button Head Plug	4
50	6635550	3/8" x 2" _Carriage Bolt	2
51	6635551	5/16" x UNC18 x 5/8" _Hex Head Bolt	9
52	6635552	5 x 19m/m_Tapping Screw	3
53	6635553	5/16" x 1-3/4" _Button Head Socket Bolt	2
54	6635554	1/4" x 3/4" _Hex Head Bolt	4
58	6635558	M5 x 12m/m_Phillips Head Screw	8
59	6635559	3/8" x 2" _Flat Head Socket Bolt	2
61	6635561	Ø5 x 16m/m_Tapping Screw	6
62	6635562	Ø3 x 20m/m_Tapping Screw	4
63	6635563	3.5 x 16m/m_Sheet Metal Screw	10
65	6635565	3 x 10m/m_Tapping Screw	4
66	6635566	Ø17_C Ring(Blackfast)	1
67	6635567	Ø20_C Ring(Blackfast)	2
68	6635568	4 x 12m/m_Sheet Metal Screw	2

KEY NO.	PART NO.	DESCRIPTION	Q'TY
70	6635570	Ø3/8" x Ø19 x 1.5T_Flat Washer	2
71	6635571	Ø3/8" x Ø25 x 2T_Flat Washer	3
72	6635572	Ø5/16" x Ø18 x 1.5T_Flat Washer	8
79	6635579	1/4" x 8T_Nyloc Nut	4
80	6635580	5/16" x 6T_Nyloc Nut	3
82	6635582	3/8" x 7T_Nut	4
83	6635583	M10 x 1.25m/m_Nut	2
84	6635584	5/16" x 2-1/2" _Hex Head Bolt	1
85	6635585	Round Disk Cover	2
86	6635586	Seat Adjustment Knob	1
90	6635590	3/8"-UNF26 x 4T_Nut	2
91	6635591	3/8"-UNF26_Nut	2
92	6635592	13/15m/m_Wrench	1
93	6635593	Phillips Head Screwdriver	1
94	6635594	Bushing	1
96	6635596	Crank Arm End Cap	2
98	6635598	Steel Cable	1
99	6635599	Ø5/16" x 19 x 1.5T_Curved Washer	1
100	66355100	12/14m/m_Wrench	1
101	66355101	Water Bottle(Optional)	1
103	66355103	5/16" x 1.5T_Split Washer	2
104	66355104	Power Adaptor	1
105	66355105	Handle Bar Cover	1
106	66355106	Seat Up/Down Adjustment Knob	1
107	66355107	Slider Sleeve	1
109	66355109	400m/m_Audio Cable(Optional)	1
114	66355114	Slide Spacer	1
115	66355115	Chest Strap(Optional)	1
116	66355116	Water Bottle Holder	1
117	66355117	22mm x M16 x M22 x 37m/m_Knob Nut	1
125	66355125	M4 x 5L_Phillips Head Screw	2
126	66355126	Ø3/8" x 25 x 3T_Flat Washer	1
127	66355127	M10 x P1.25 x 15L_Button Head Socket Bolt	1
128	66355128	M6 x 57L_Idle Wheel Screw	1
129	66355129	M6_Nut Stopper	1
130	66355130	M6 x 6T_Nyloc Nut	1
135	66355135	3/8" x UNC16 x 12.5T_Nut	2
150	66355150	Rubber Pad	1
151	66355151	Transformer Power Cord	1

GENERAL MAINTENANCE

1. Wipe down all areas in the sweat path with a damp cloth after each workout.
2. If a squeak, thump, clicking or rough feeling develops the main cause is most likely one of two reasons:
 - I. The hardware was not sufficiently tightened during assembly. All bolts that were installed during assembly need to be tightened as much as possible. It may be necessary to use a larger wrench than the one provided if you cannot tighten the bolts sufficiently. I cannot stress this point enough; 90% of calls to the service department for noise issues can be traced to loose hardware.
 - II. The crank arm nut needs to be retightened
 - III. If squeaks or other noises persist, check that the unit is properly leveled. There are 2 leveling pads on the bottom of the rear stabilizer, use a 14mm wrench (or adjustable wrench) to adjust the levelers.

ENGINEERING MODE MENU

The console has built in maintenance/diagnostic software. The software will allow you to change the console settings from English to Metric and turn off the beeping of the speaker when a key is pressed for example. To enter the Engineering Mode Menu, press and hold down the **Start**, **Stop** and **Enter** keys. Keep holding the keys down for about 5 seconds and the Message Center will display Engineering Mode Menu. Press the **Enter** button to access the menu below:

- a. **Key Test** (Will allow you to test all the keys to make sure they are functioning)
- b. **LCD Test** (Tests all the display functions)
- c. **Functions** (Press **Enter** to access settings and **+** arrow to scroll)
 - i. **Display Mode** (Turn off to have the console power down automatically after 20 minutes of inactivity)
 - ii. **Pause Mode** (Turn on allow 5 minutes of pause, turn off to have the console pause indefinitely)
 - iii. **ODO Reset** (Resets the odometer)
 - iv. **Units** (Sets the display to readout in English or Metric display measurements)
 - v. **Beep** (Turns off the speaker so no beeping sound is heard)
 - vi. **Motor test** (Continually runs the tensioning gear motor)
 - vii. **Safety**
- d. **Security** (Allows the keypad to be locked to prevent unauthorized use)

Manufacturer's Limited Warranty

Dyaco Canada Inc. warrants all its bike parts for a period of time listed below, from the date of retail sale, as determined by a sales receipt. Dyaco Canada Inc.'s responsibilities include providing new or remanufactured parts, at Dyaco Canada Inc.'s option, and technical support to our independent dealers and servicing organizations. In the absence of a dealer or service organization, these warranties will be administered by Dyaco Canada Inc. directly to a consumer. The warranty period applies to the following components:

Home Warranty	
Frame	Lifetime
Brake	Lifetime
Parts	10 Years
Labour	1 Year

This warranty is not transferable and is extended only to the original owner. The warranty shall not apply to exercise units which are (1) used for commercial or other income producing purposes, or (2) subject to misuse, neglect, accident or unauthorized repair and alterations.

This warranty provided herein is lieu of all other express warranties, any implied warranties, including any implied warranties of merchantability of fitness for particular purpose, are limited in duration to the first 12 months from date of purchase. All other obligations or liabilities, including liability for consequential damages are hereby excluded.

REPAIR PARTS AND SERVICE

All of the parts for the Spirit cycle shown in figure can be ordered from Dyaco Canada Inc. 5955 Don Murie Street, Niagara Falls, Ontario L2G 0A9. When ordering parts, the parts will be sent and billed at the current prices. Prices may be subject to change without notice. Cheque or money order must accompany all orders. Standard hardware items are available at your local hardware store.

To ensure prompt and correct handling of any errors, or to answer any questions, please call our Toll Free number: 1-888-707-1880, or local number 1-905-353-8955 or fax 1-905-353-8968, email customerservice@dyaco.ca or visit our website at www.dyaco.ca. Office hours are from 8:30 AM to 5:00 PM Monday to Friday Eastern Standard Time.

Always include the following information when ordering parts

- Model number
- Name of each part
- Part number of each part



Please visit us online for information about our other brands and products manufactured and distributed by Dyaco Canada Inc.



www.dyaco.ca



www.dyaco.ca



www.dyaco.ca



www.dyaco.ca



www.spiritfitnesscanada.ca
www.dyaco.ca



www.spiritfitnesscanada.ca
www.dyaco.ca



www.solefitness.ca
www.dyaco.ca



www.trainorsports.ca
www.dyaco.ca



www.xterrafitness.ca
www.dyaco.ca