

Owner's Manual

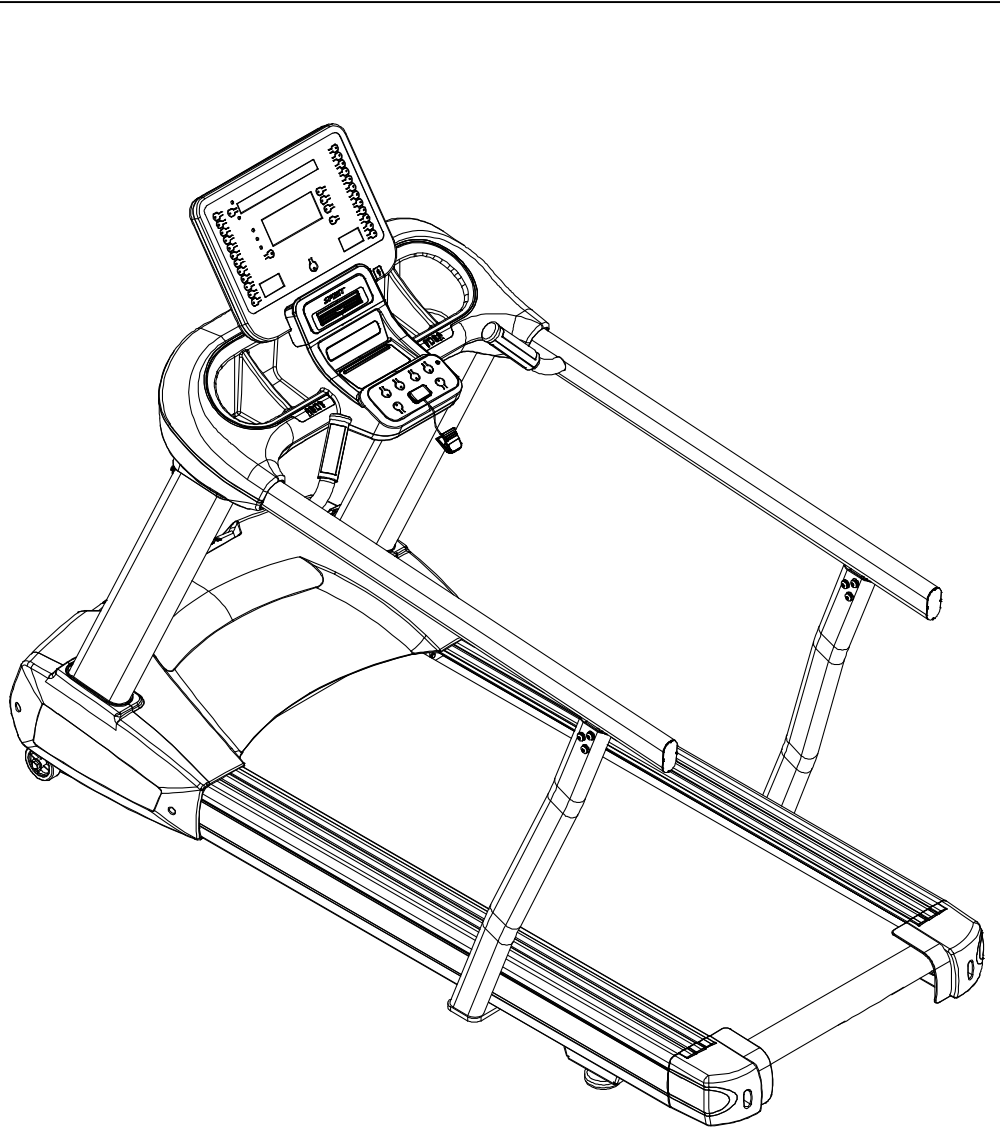
Model No.
16807008500

- Assembly
- Operation
- Adjustments
- Parts
- Warranty

CAUTION:

Read and
Understand this
Manual before
Operating unit

SPIRIT



**Retain For Future
Reference**

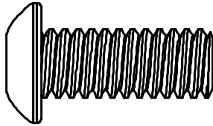
TABLE OF CONTENTS

Assembly instructions..... 3

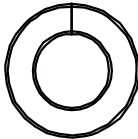
Diagram and Parts list 7

ASSEMBLY INSTRUCTIONS

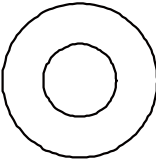
HARDWARE



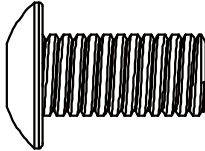
#5 - M8 × 20L
Button Head Socket Bolt
(6pcs)



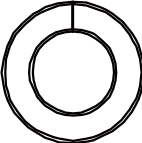
#6 - Ø8.5 × 1.5T
Split Washer (6pcs)



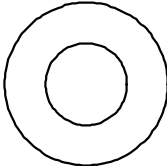
#7 - Ø8.5 × Ø18 × 1.5T
Flat Washer (6pcs)



#8 - 3/8" × 3/4"
Button Head Socket Bolt
(12pcs)

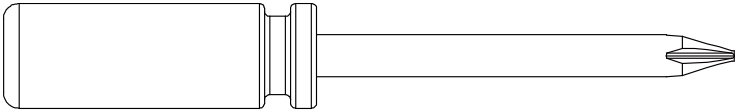


#9 - Ø10 × 2.0T
Split Washer (12pcs)



#10 - Ø3/8" × Ø19 × 1.5T
Flat Washer (12pcs)

ASSEMBLY TOOLS



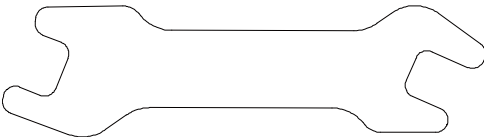
#11 - Phillips Head Screwdriver (1 pcs)



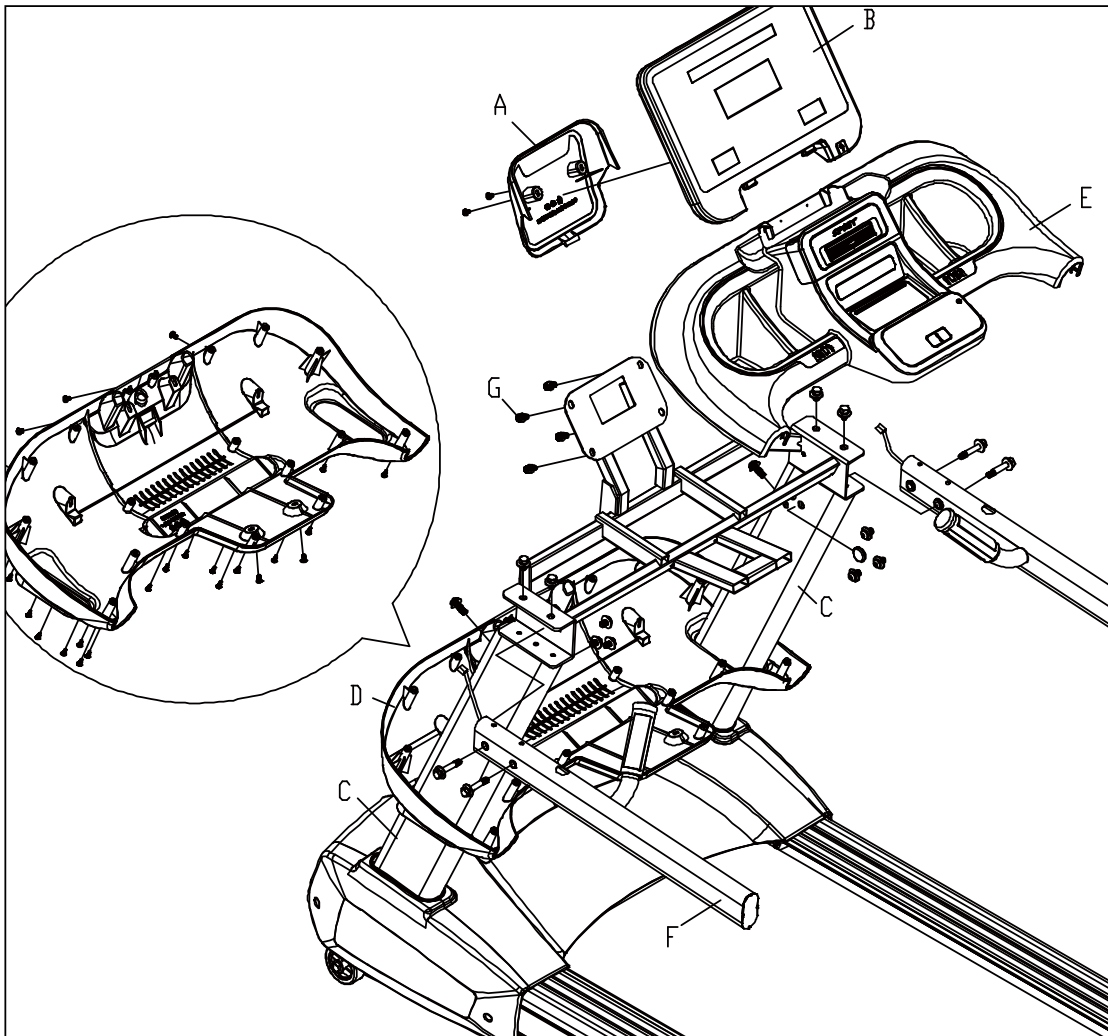
#12 - L Allen Wrench(5×25×67L) (1pcs)



#13 - L Allen Wrench(6×26L×76L) (1pcs)

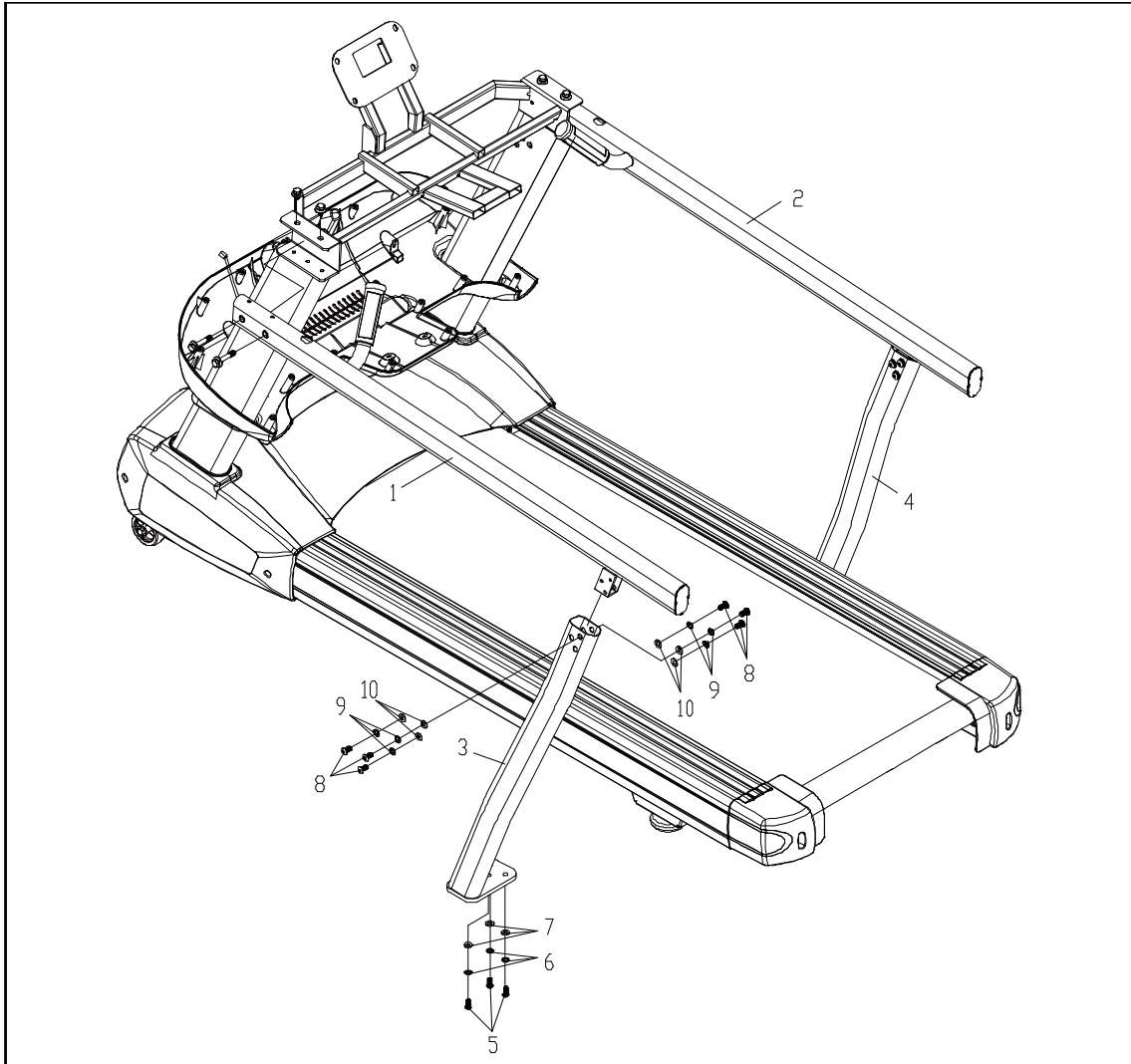


#18 - 13/14mm Wrench (1 pcs)



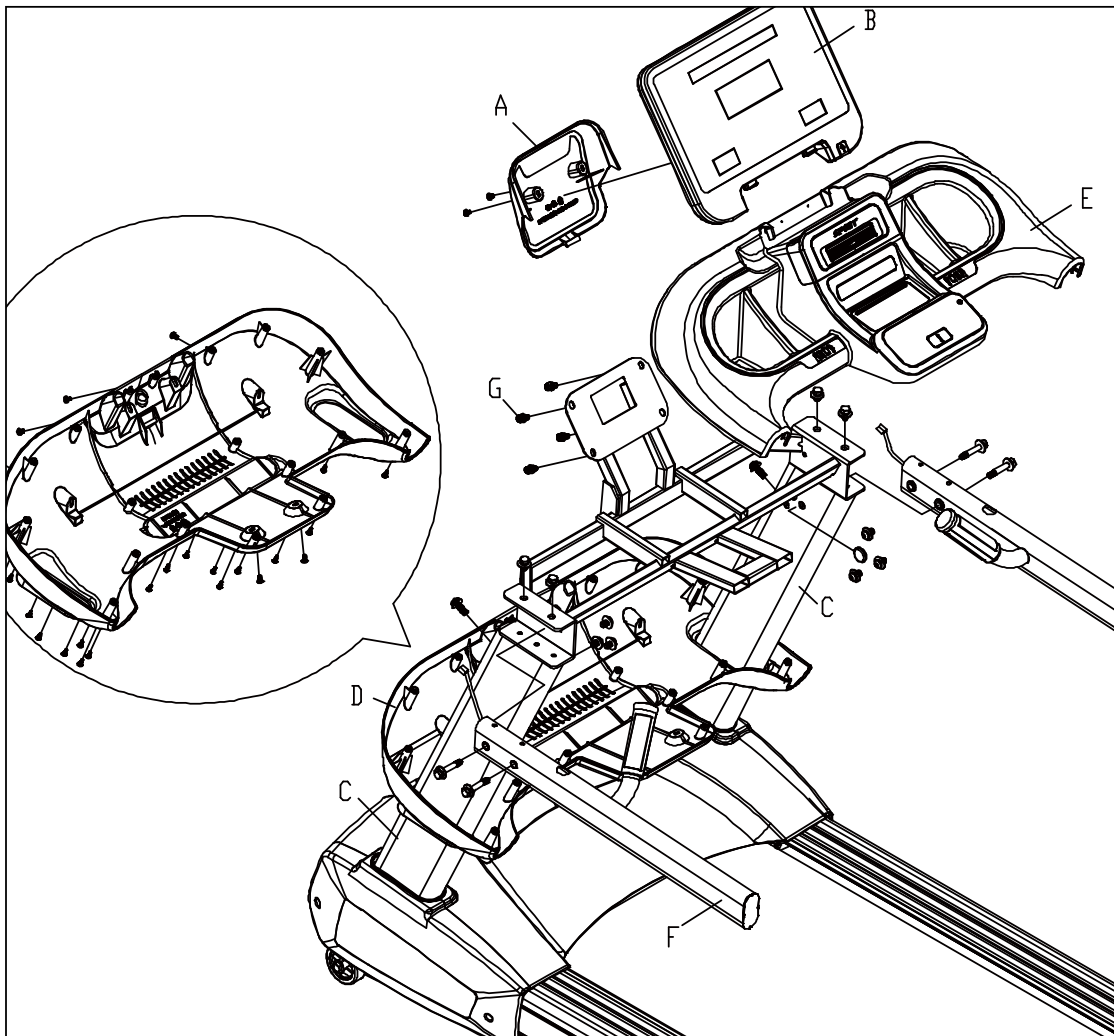
STEP 1

1. Remove all the Screws (A) from back of console using the Phillips Head Screwdriver (No.11), then unplug two Handpulse Cables & one Computer Cable. Removed Ground Wire (B) from Console using the Phillips Head Screwdriver (No.11). Remove the Screws (G) from Console Mount using the L Allen Wrench (No.12).
2. Removed the Upper Screws (C) from the Left Upright & Right Upright, then remove the End Cap.
3. Remove all the Screws (D) from Console Bottom Cover (Inset Image) using the Phillips Head Screwdriver (No.11), then take off Console Upper Cover (E).
4. Remove the Handlebar (L) & Handlebar (R) (F) using the Wrench (No.18)



STEP 2

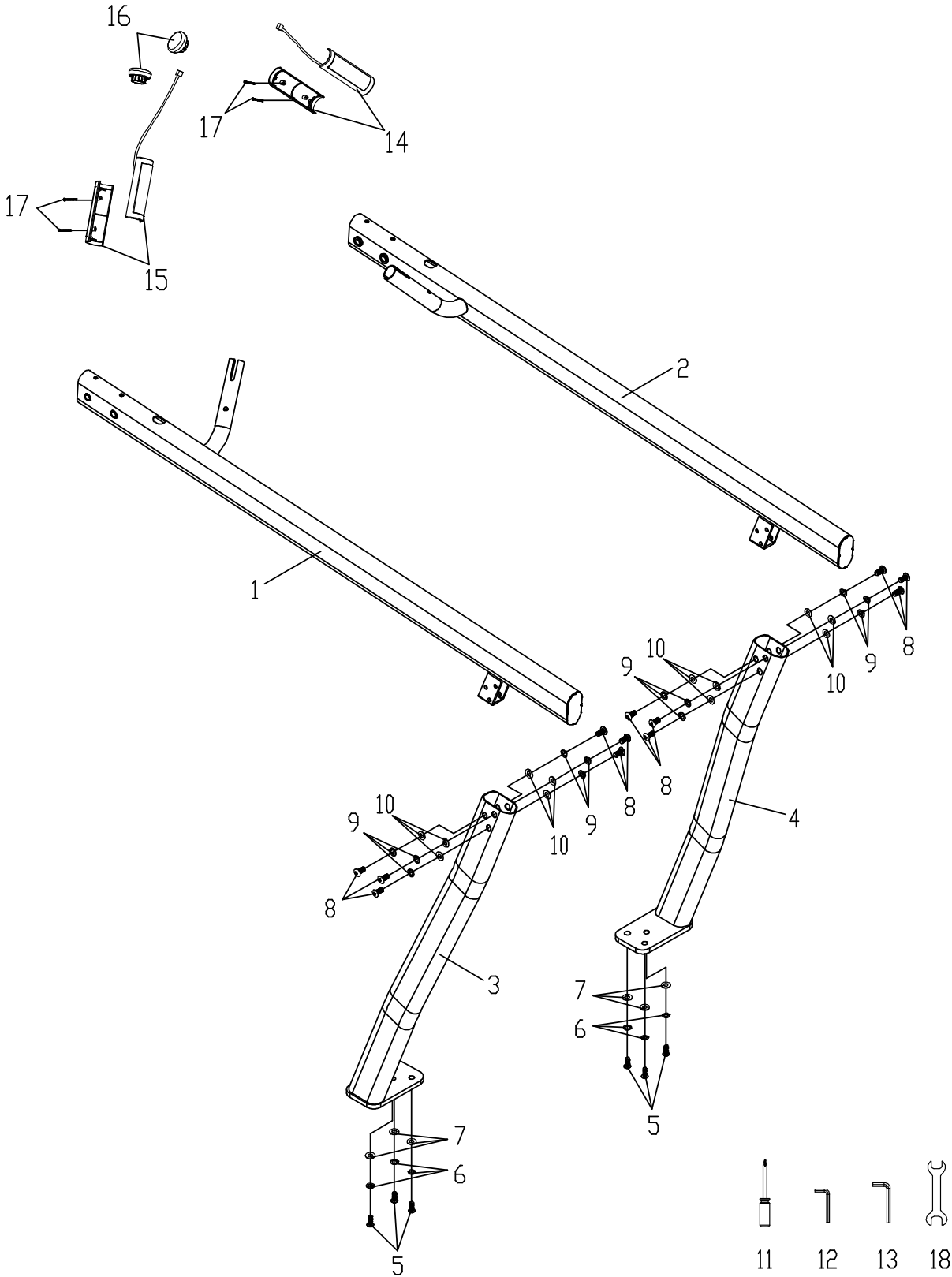
1. Install Left Upright (No.03) & Right Upright (No.04) to main frame, then firmly fasten Button Head Socket Bolt (No.05) through a Split Washer (No.06) and Flat Washer (No.07) to bottom main frame using a L Allen Wrench (No.12).
2. Install Handlebar (L)(No.01) & Handlebar (R)(No.02) to console mount & Left Upright (No.03) & Right Upright (No.04), then firmly fasten screws on Handlebar (L)(No.01) & Handlebar (R)(No.02) to console mount using the Wrench (No.18). Firmly fasten Button Head Socket Bolt (No.08) through Split Washer (No.09), and Flat Washer (No.10) to Left Upright (No.03) & Right Upright (No.04) using the L Allen Wrench (No.13).



STEP 3

Finally, assemble the parts & fasten the screws which have been taken off in STEP 1.

EXPLODED VIEW DIAGRAM



PARTS LIST

Key No.	Description	Q'ty
1	Handlebar (L)	1
2	Handlebar (R)	1
3	Left Upright	1
4	Right Upright	1
5	M8 × 20L_Button Head Socket Bolt	6
6	Ø8.5 × 1.5T_Split Washer	6
7	Ø8.5 × Ø18 × 1.5T_Flat Washer	6
8	3/8" × 3/4" Button Head Socket Bolt	12
9	Ø10 × 2.0T_Split Washer	12
10	Ø3/8" × Ø19 × 1.5T_Flat Washer	12
11	Phillips Head Screwdriver	1
12	L Allen Wrench(5×25×67L)	1
13	L Allen Wrench(6×26L×76L)	1
14	900m/m Handpulse Assembly (SMP-03)	1
15	900m/m Handpulse Assembly (SMR-03)	1
16	Handpulse End Cap	2
17	3 × 25L_Tapping Screw	4
18	13/14m/m_Wrench	1

dyaco

Please visit us online for information about our other brands and products manufactured and distributed by Dyaco Canada Inc.

SPIRIT

spiritfitness.ca

XTEERRA

xterrafitness.ca

UFC

dyaco.ca/UFC/UFC-home.html

SOLE
FITNESS

solefitness.ca

EVERLAST

dyaco.ca/products/everlast.html

 **Johnny G**
by SPIRIT

spiritfitness.ca/johnnyg.html

TRAINOR
SPORTS

trainorsports.ca

For more information, please contact Dyaco Canada Inc.
T: 1-888-707-1880 | 5955 Don Murie St., Niagara Falls, Ontario L2G 0A9 | sales@dyaco.ca

Dyaco Canada Inc. dyaco.ca