

Owner's Manual

Model No.

16207688000US

CR800

16207668000US

CU800

- Assembly
- Operation
- Adjustments
- Parts
- Warranty

CAUTION:

Read and understand this manual before operating unit

SPIRIT



Retain For Future Reference

Table of Contents

Product Registration..... 2

Important Safety Instructions..... 3

Important Electrical Information..... 4

Important Operation Instructions..... 4

CR800 16207688000 Assembly Instructions..... 8

CU800 16207668000 Assembly Instructions14

Features..... 18

Operation of Your New Bike..... 19

Maintenance..... 33

16207688000 CR800 Part List and Diagram34

16207668000 CU800 Part List and Diagram 39

Manufacturer’s Limited Warranty..... 43

Serial number sticker is located:

CR800



Under Mast Cover

CU800



Under Mast Cover

SPIRIT

**CONGRATULATIONS ON YOUR
NEW BIKE AND WELCOME
TO THE SPIRIT FAMILY!**

Thank you for your purchase of this quality stationary bike trainer from Dyaco Canada Inc. Your new bike was manufactured by one of the leading fitness manufacturers in the world and is backed by one of the most comprehensive warranties available. Through your dealer, Dyaco Canada Inc. will do all we can to make your ownership experience as pleasant as possible for many years to come. The local dealership where you purchased this bike is your administrator for all Dyaco Canada Inc. warranty and service needs. Their responsibility is to provide you with the technical knowledge and service personnel to make your experience more informed and any difficulties easier to remedy.

Please take a moment at this time to record the name of the dealer, their telephone number, and the date of purchase below to make any future, needed contact easy. We appreciate your support and we will always remember that you are the reason that we are in business. Please complete and mail your registration card today and enjoy your new bike.

Yours in Health,
Dyaco Canada Inc.

Name of Dealer _____

Telephone Number of Dealer _____

Purchase Date _____

Product Registration

RECORD YOUR SERIAL NUMBER

Please record the Serial Number of this fitness product in the space provided below.

Serial Number _____

REGISTER YOUR PURCHASE

The self-addressed product registration card must be completed in full and returned to Dyaco Canada Inc.

Important Safety Instructions

WARNING - Read all instructions before using this equipment.

- Do not operate the bike on deeply padded, plush or shag carpet. Damage to both the carpet and bike may result.
- Keep children away from the bike. There are obvious pinch points and other areas of caution that can cause harm.
- Keep hands away from all moving parts.
- Never drop or insert any object into any openings.
- Do not use outdoors.
- Do not attempt to use your bike for any purpose other than for the purpose it is intended.
- The hand pulse sensors are not medical devices. Various factors, including the user's movement, may affect the accuracy of heart rate readings. The pulse sensors are intended only as exercise aids in determining heart rate trends in general.
- Wear proper shoes. High heels, dress shoes, sandals or bare feet are not suitable for use on your bike. Quality athletic shoes are recommended to avoid leg fatigue.
- Maximum User Weight: 450 lbs
- This equipment is not intended for use by persons with reduced physical, sensory or mental capabilities, or lack of experience and knowledge, unless they have been given supervision or instruction concerning use of the appliance by a person responsible for their safety.
- Keep children under the age of 13 away from this equipment.

SAVE THESE INSTRUCTIONS - THINK SAFETY!

Important Electrical Information

WARNING!

- Be aware that the generator is producing A.C. power while the bike is being used. Do not service the bike while the generator is spinning. Serious electric shock could occur.

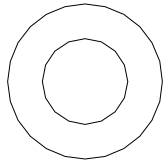
NEVER: expose this fitness bike to rain or moisture. This product is **NOT** designed for use outdoors, near a pool or spa, or in any other high humidity environment. The operating temperature specification is 40 to 120 degrees Fahrenheit, and humidity is 95% non-condensing (no water drops forming on surfaces).

Important Operation Instructions

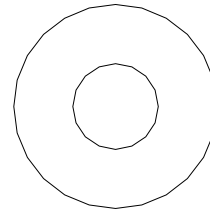
- **NEVER** operate the bike without reading and completely understanding the results of any operational change you request from the computer.
- Understand that changes in resistance do not occur immediately. Set your desired resistance level on the computer console and release the adjustment key. The computer will obey the command gradually.
- Use caution while participating in other activities while pedaling on your fitness bike; such as watching television, reading, etc. These distractions may cause you to lose balance which may result in serious injury.
- Do not use excessive pressure on console control keys. They are precision set to properly function with little finger pressure. Pushing harder is not going to make the unit go faster or slower. If you feel the buttons are not functioning properly with normal pressure, contact your Dyaco Canada Inc. dealer.

Assembly Pack Check List For 16207688000 CR800

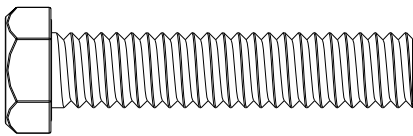
Step 1



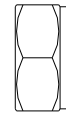
#77 - 3/8" x 19 x 1.5
Flat Washer (6 pcs)



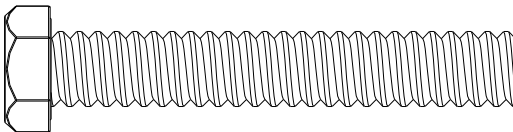
#84 - 3/8" x 25 x 2.0T
Flat Washer (4 pcs)



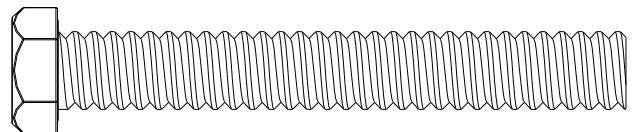
#71 - 3/8" x 2"
Hex Head Bolt (4 pcs)



#89 - 3/8" x 7T
Nylon Nut (6 pcs)

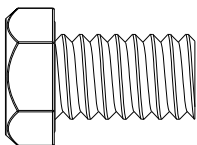


#65 - 3/8" x 2- 1/4"
Hex Head Bolt (4 pcs)

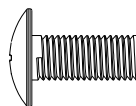


#175 - 3/8" x 2-3/4"
Hex Head Bolt (2 pcs)

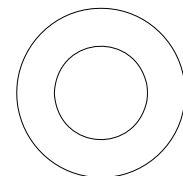
Step 2



#176 - 3/8" x 3/4"
Hex Head Bolt (6 pcs)

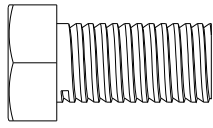


#136 - M5 x 15
Phillips Head Screw (4 pcs)

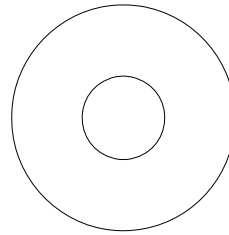


#77 - 3/8" x 19 x 1.5T
Flat Washer (6 pcs)

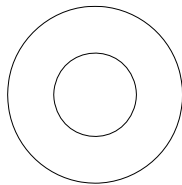
Step 3



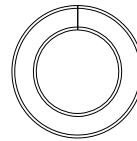
#68 - 5/16" x 5/8"
Hex Head Bolt (8 pcs)



#83 - 5/16" x 19 x 1.5T
Curved Washer (2 pcs)

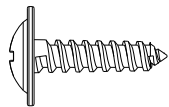


#76 - 5/16" x 18 x 1.5T
Flat Washer (6 pcs)

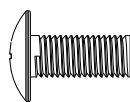


#82 - 5/16" x 1.5T
Split Washer (2 pcs)

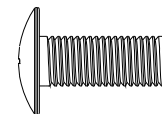
Step 4



#105 - 4mm x 16mm
Self Tapping Screw (4 pcs)

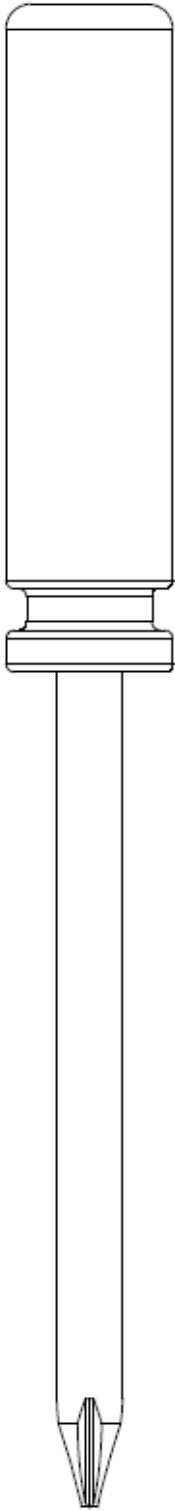


#99 - M5 x 12mm
Phillips Head Screw (8 pcs)

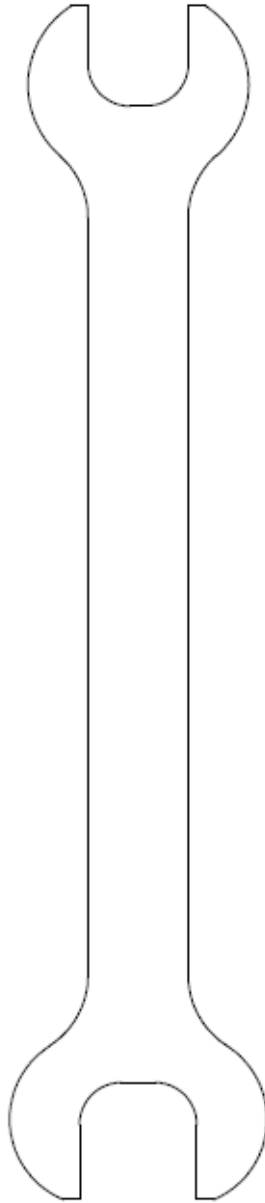


#186 - M6 x 18mm
Phillips Head Screw (4 pcs)

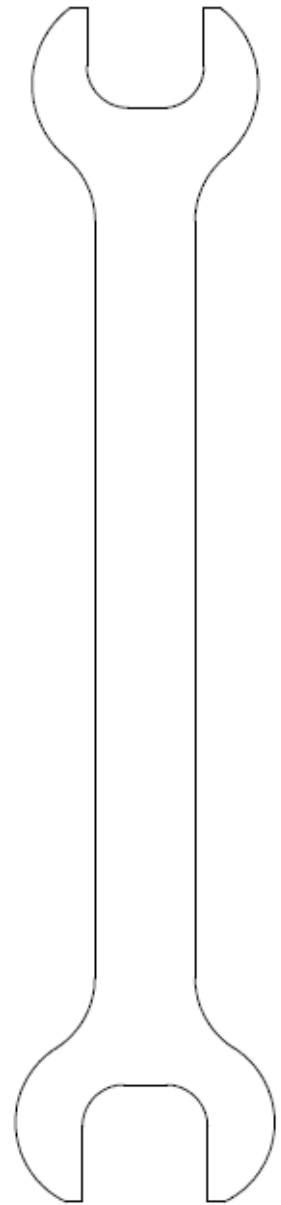
Tools



#114 - Phillips Screw Driver (1 pc)



#112 - 12/14mm Wrench (1 pc)

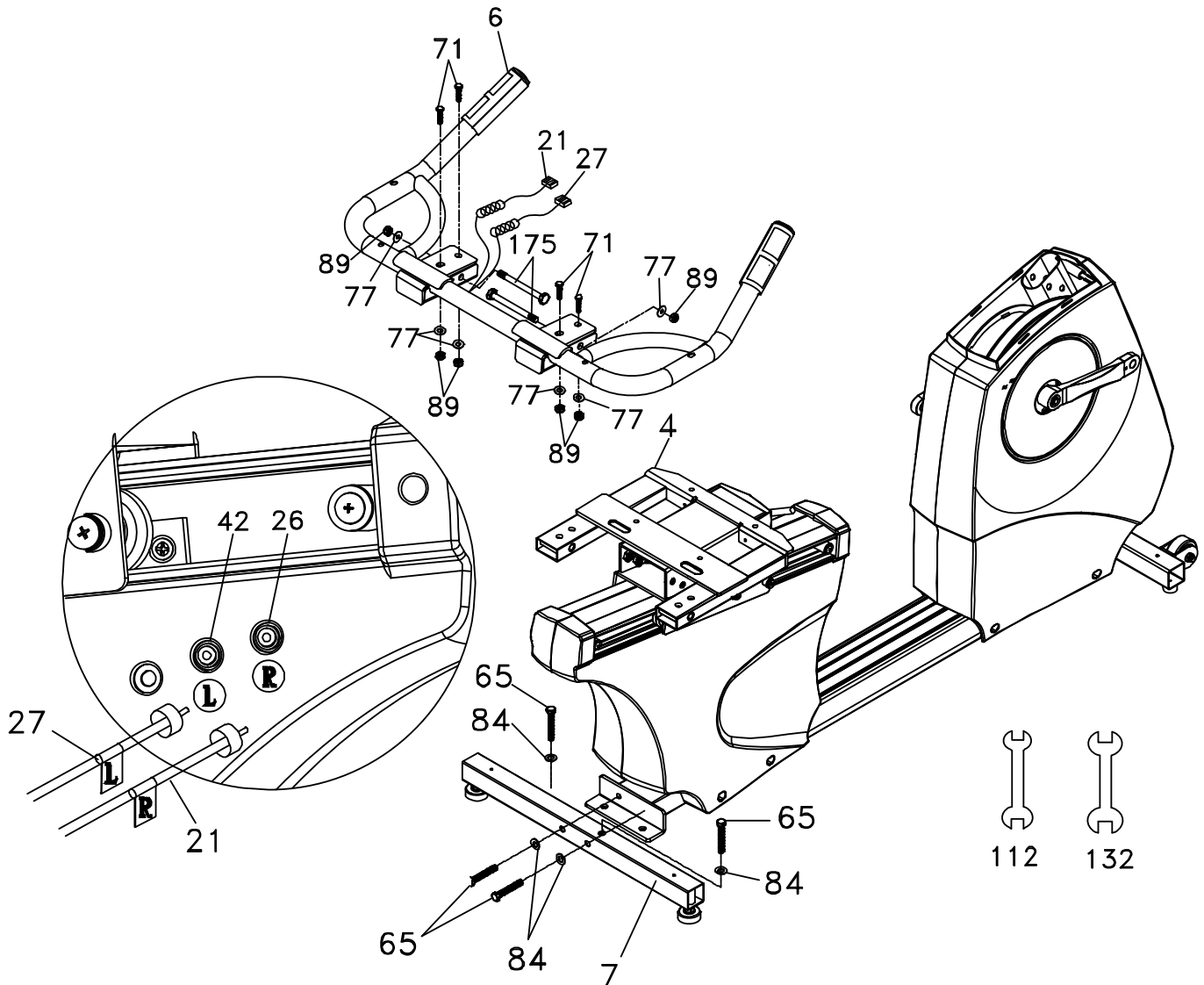


#132 - 14/15mm Wrench (1 pc)

Assembly Instructions For 16207688000 CR800

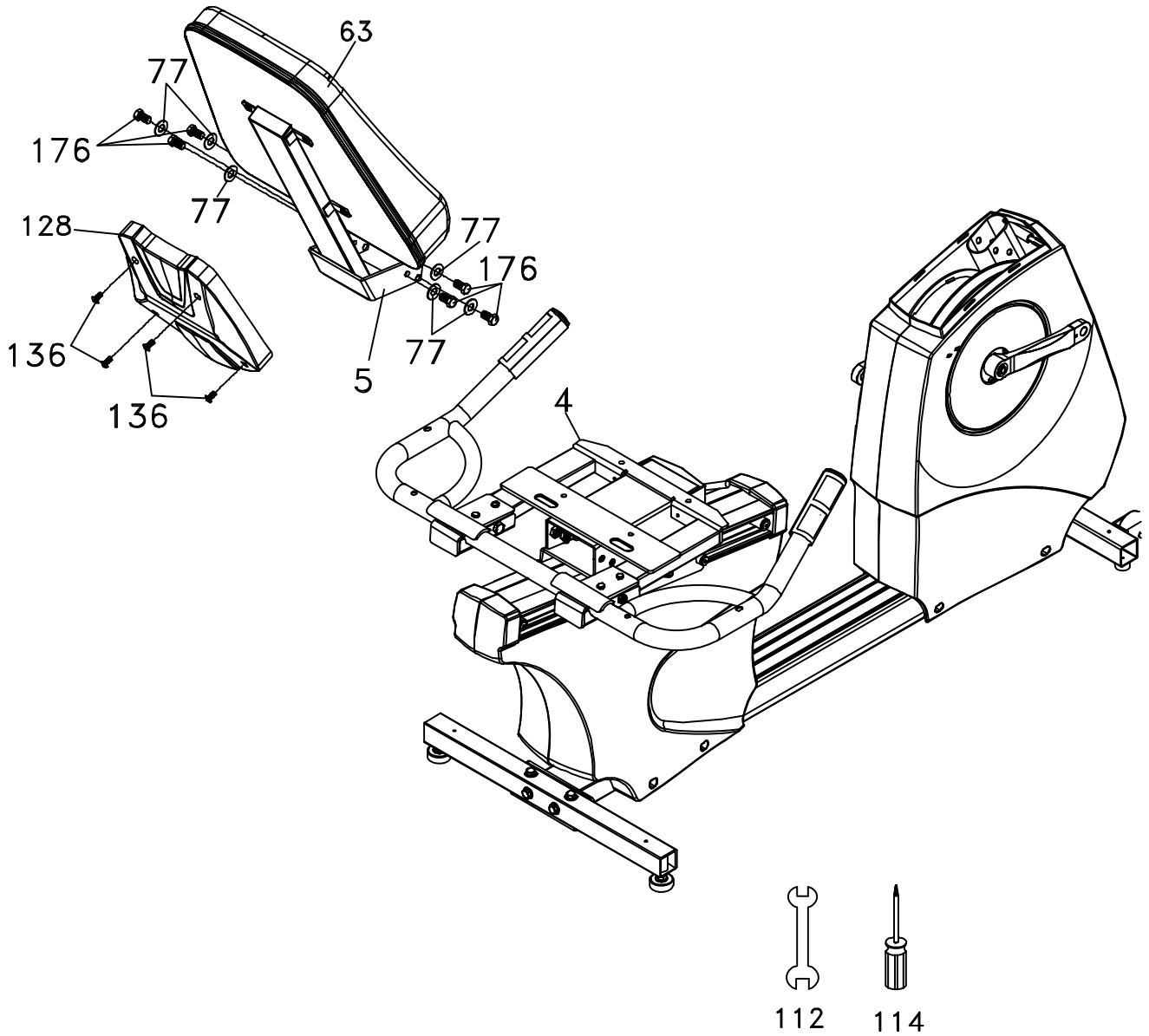
STEP 1: REAR STABILIZER & SEAT HANDLEBAR ASSEMBLY

1. Install the Rear Stabilizer (7) onto the Main Frame with four 3/8" x 2-1/4" Hex Head bolts (65) and four 3/8" x 25 x 2.0T Flat Washers (84).
2. Install the handlebar assembly (6) onto the seat carriage (4) with four 3/8" X 2" bolts (71) installed through the top holes and secured with four 3/8" x 19 x 1.5T flat washers (77) and 3/8" nylon nuts (89). Install two 3/8" X 2-3/4" bolts (175) through the side holes and secure with two 3/8" flat washers (77) and 3/8" nylon nuts (89).
3. Plug the Left hand pulse wire (27) into the corresponding left socket (42) located in the left plastic side case under the seat carriage, and the Right hand pulse wire (21) into the right socket (26).



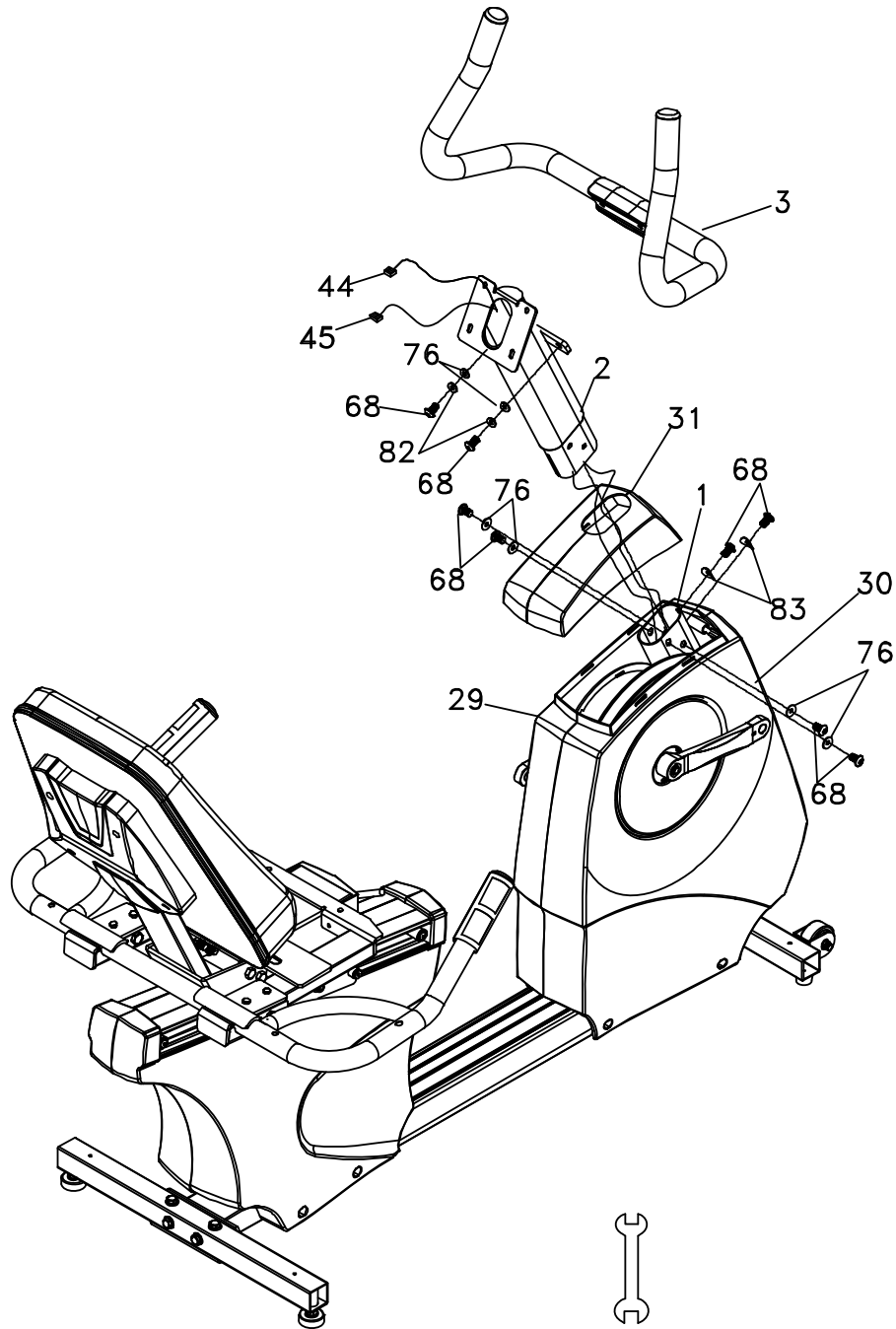
STEP 2: SEAT BACK

4. Install Seat Back Frame (5) onto the Seat Carriage (4) with six $3/8"$ x $3/4"$ Hex Head bolts (176) and $3/8"$ x 19 x $1.5T$ flat washers (77).
5. Install the Seat Back Cover (128) onto the Seat Back with four M5 x 15 Phillips Head Screws (136).



STEP 3: CONSOLE MAST ASSEMBLY

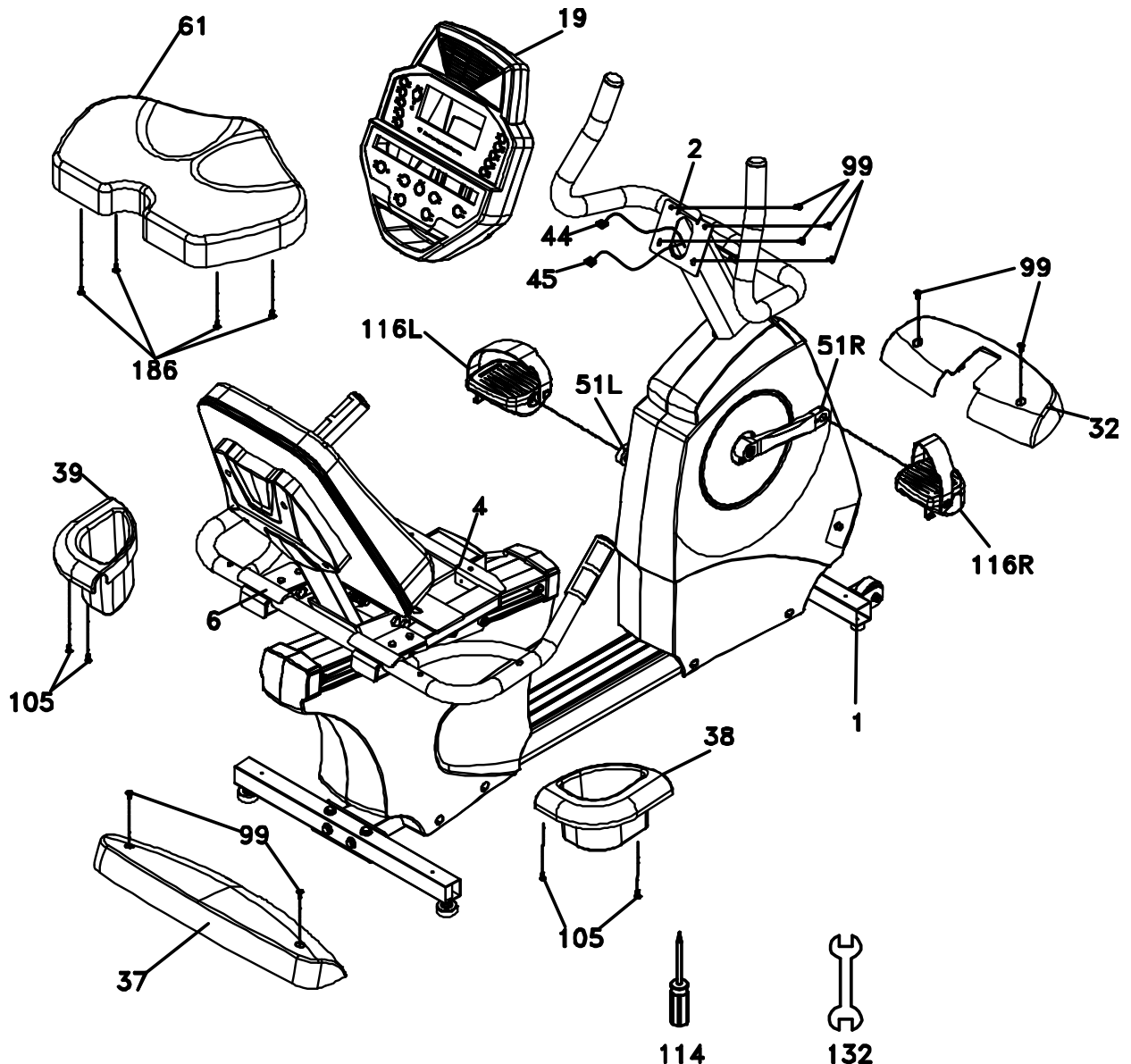
1. Install the console mast cover (31) onto the console mast (2), making sure it is facing the correct direction as in the picture below. Run the two wire harnesses through the bottom of the console mast tube and out the top opening.
2. Slide the console mast into the receiving tube (1) being careful to not pinch the wires. Fasten the console mast with six 5/16" x 5/8" bolts (68) and four 5/16" x 18 x 1.5T flat washers (76) on the side bolts and two 5/16" x 19 x 1.5T curved washers (83) on the front bolts. Snap the console mast cover in place.
3. Install the front handlebars (3) onto the console mast with two 5/16" x 5/8" bolts (68), 5/16" x 1.5T split washers (82) and 5/16" flat washers (76).



112

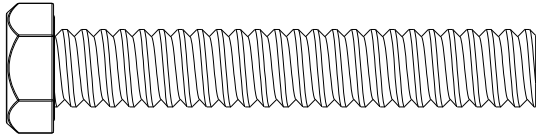
STEP 4: CONSOLE, SEAT, COVERS, PEDALS

1. Install the front and rear stabilizer covers (32 & 37) and secure to the frame with four M5 x 12mm screws (99).
2. Install the left and right cup holders (39 & 38) to the rear handlebars with four self tapping screws (105).
3. Install the bottom seat cushion (61) to the seat carriage (4) M6 x 18mm screws (186).
4. Install the Pedals (116 L, 116 R) into the Crank arms (51L, 51R). Remember that the left pedal has a reverse thread and will be screwed into the crank in the opposite rotation from normal threads. There is an "L" stamped into the end of the threaded post of the left pedal and an "R" in the right. Make sure to tighten the pedals as much as you possibly can. It may be necessary to re-tighten the pedals if you feel a thumping during pedaling the bike. A clicking noise, or thumping, sound during pedaling is usually caused by the pedals being too loose.
5. Connect the two wire harnesses (44 & 45) to the corresponding connectors on the back of the console. Install the console onto the console mast and secure with four M5 x 12mm screws (99) being careful to not pinch the wires.

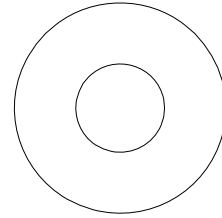


Assembly Pack Check List For 16207668000 CU800

Step 1

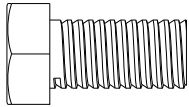


#50 - 3/8" x 2-1/4"
Hex Head Bolt (4pcs)

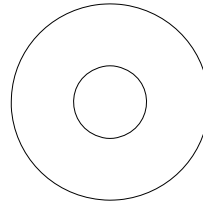


#71 - 3/8" X 25
Flat Washer (4pcs)

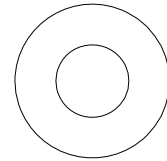
Step 2



#51 - 5/16" x 5/8"
Hex Head Bolt (7pcs)

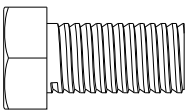


#99 - 5/16" X 19
Curved Washer (1pcs)

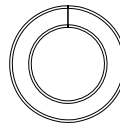


#72 - 5/16" X 18
Flat Washer (6pcs)

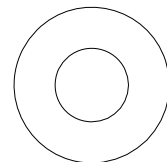
Step 3



#51 - 5/16" x 5/8"
Hex Head Bolt (2pcs)

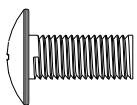


#103 - 5/16"
Split Washer (2pcs)



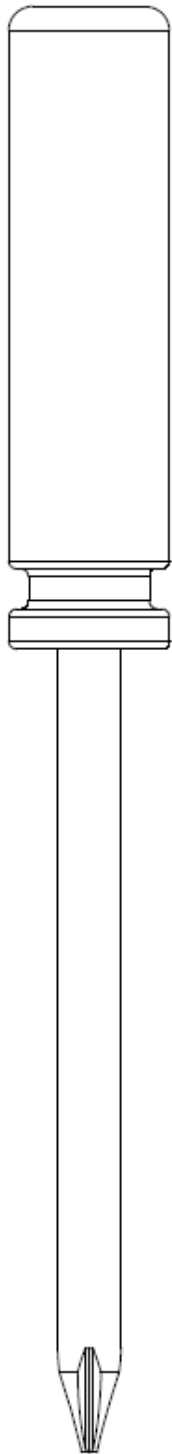
#72 - 5/16" X 18
Flat Washer (2pcs)

Step 4

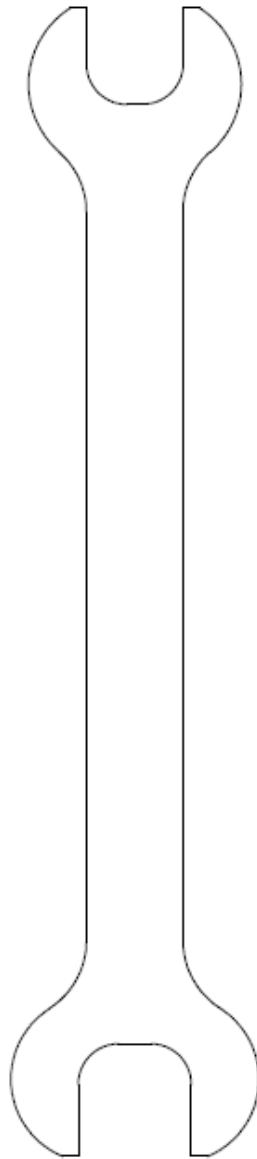


#58 - M5 x 12mm
Phillips Head Screw (10pcs)

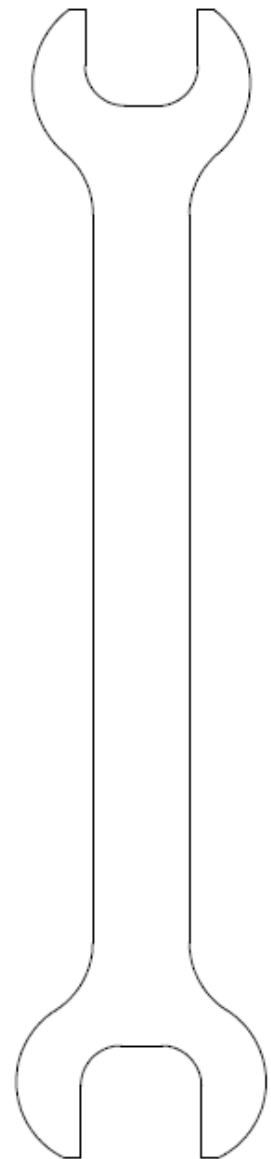
Tools



#93 - Phillips Screw Driver (1pc)



#100 - 12/14mm Wrench (1pc)

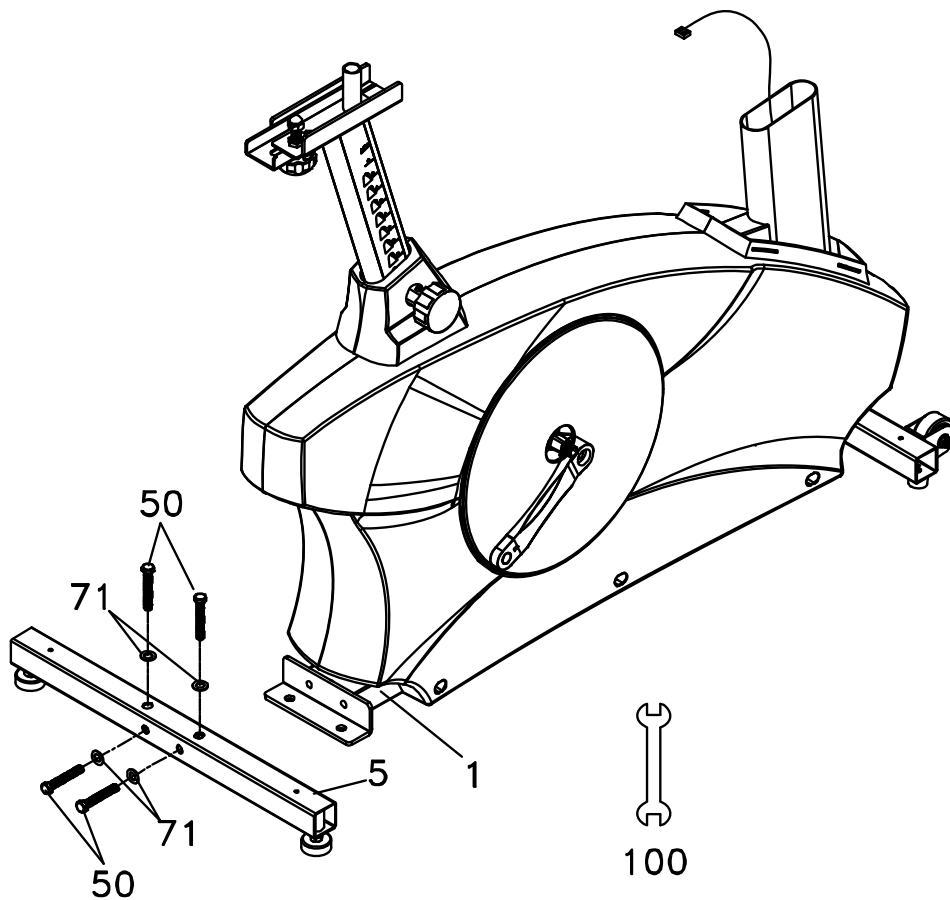


#117. 13/15mm Wrench (1pc)

Assembly Instructions For 16207668000 CU800

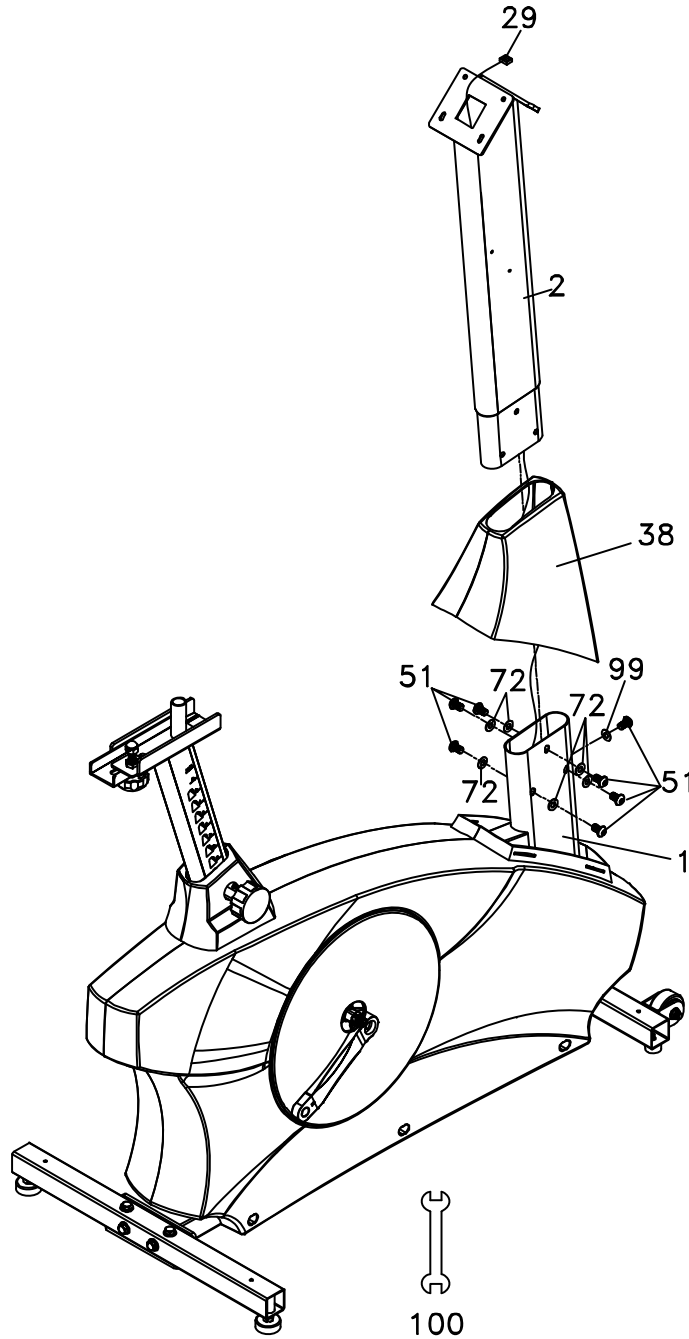
STEP 1: REAR STABILIZER ASSEMBLY

1. Install the Rear Stabilizer (5) onto the Main Frame (1) with the four 3/8" x 2-1/4" Hex Head Bolts (50) and four 3/8" x 25 Flat Washers (71).



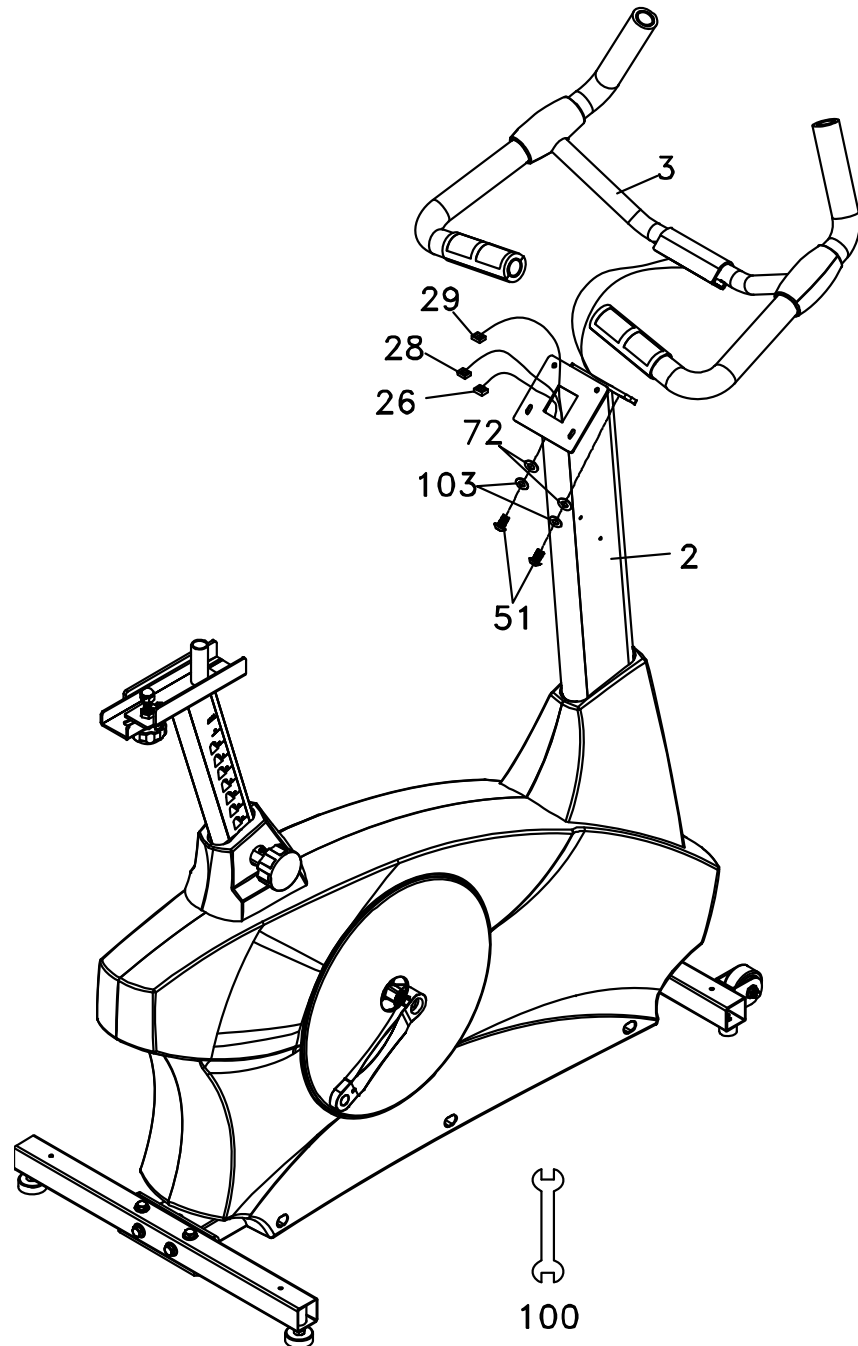
STEP 2: FRONT CONSOLE MAST ASSEMBLY

1. Unravel the Computer Cable (29) and snake it through the Console Mast Cover (38) and the Console Mast (2) until the cable connector comes out the top opening of the console mast. Slide the plastic cover (38) onto the console mast, ensuring the correct orientation of the cover.
2. Install the Console Mast (2) onto the Main Frame (1) with seven 5/16" x 5/8" Hex Head bolts (51), six 5/16" x 18 Flat Washers (72) on the side screws and one 5/16" x 19 Curved Washer (99) on the front screw.



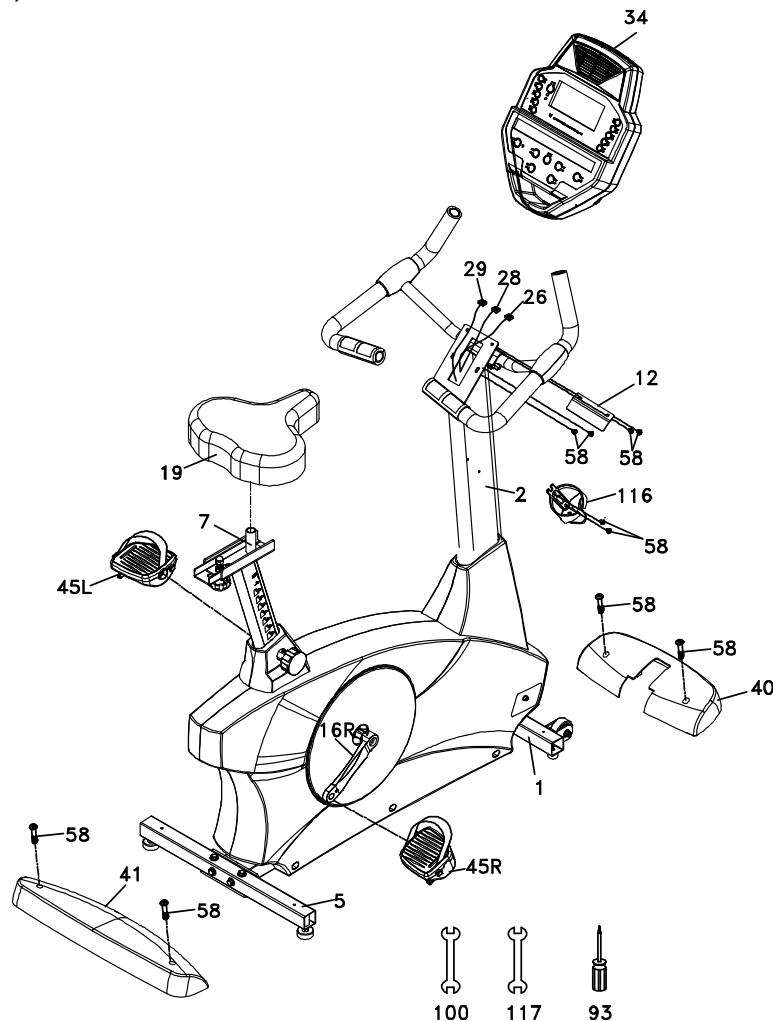
STEP 3: HANDLE BAR ASSEMBLY

1. Run the two hand pulse wires (26) into the hole in the handle bar mounting plate and out through the hole in the console plate. Install the Handle Bar (3) onto the Console Mast (2) with two 5/16" x 5/8" Hex Head bolts (51), two 5/16" x 18 Flat Washers (72) and two 5/16" Split Washers (103) being careful not to pinch the hand pulse wires.



STEP 4: CONSOLE, SEAT, PEDALS AND BEAUTY COVERS ASSEMBLY

1. Insert the Computer Cable (29) and two Hand pulse cables (26, 28) into the connectors in the back of the Console (34). Install the Console (34) onto the Console Mast (2). Install the two M5x12mm bottom screws first (58). Install the cover plate (12) with the two top mounting screws (58).
2. Install the Front Stabilizer Cover (40) and the Rear Stabilizer Cover (41) onto the Main Frame (1) with four M5x12mm Phillips Head Screws (58).
3. Install the Pedals (45 L, 45R) onto the Crank arms (16L, 16R). Remember that the left pedal has a reverse thread and will be screwed into the crank in the opposite rotation from normal threads. There is an "L" stamped into the end of the threaded post of the left pedal and an "R" in the right. Make sure to tighten the pedals as much as you possibly can. It may be necessary to re-tighten the pedals if you feel a thumping during pedaling the bike. A noise or feeling such as a thumping or clicking is usually caused by the pedals being too loose.
4. Install the Seat mount slide (7) onto the track on top of the seat tube with the seat post facing forward. Install the seat (19) onto the seat post.
5. Install the Drink Bottle Holder (116) onto the Console Mast (2) with two M5x12mm Phillips Head Screws (58).



Features

Foot pedals

Through research performed with a leading sports scientist and physical rehabilitation expert, Spirit engineering has developed a breakthrough in pedal design. Typical stationary exercise bikes are wider than a normal road bike. The reason is to allow for the braking mechanism, pulleys, drive components and beauty covers. Since the bike is wider so is the distance between the pedals; this width between the pedals is called the Q factor.

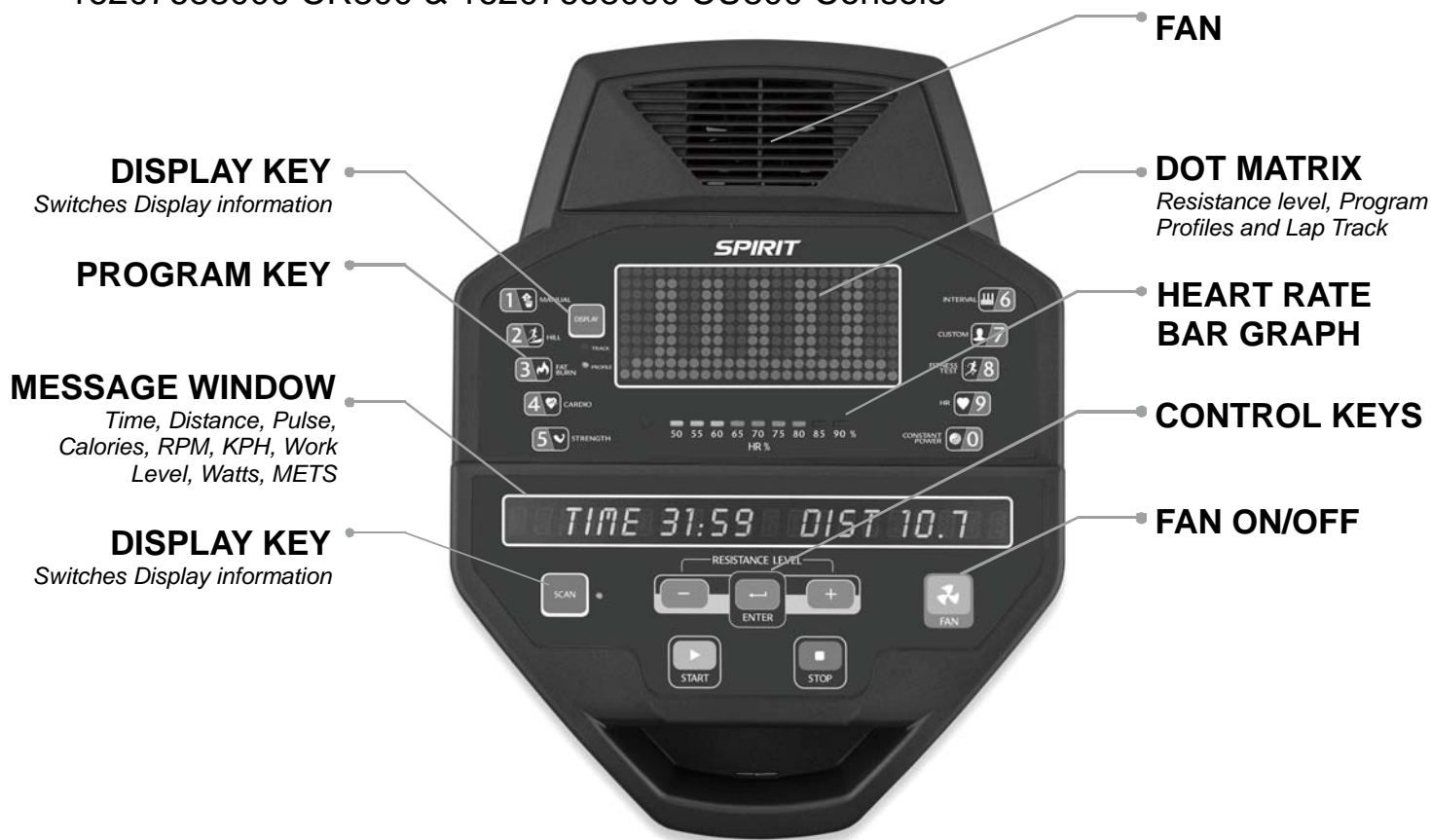
Spirit has designed our pedal system so the Q factor is the smallest in the industry, but we did not stop there. We have also custom designed and tooled a new pedal that provides a two degree inward tilt to compensate for the Q factor not being perfect. Having a small Q factor in addition to the two degree inward tilt of the pedals puts the user into a biomechanical neutral alignment. This means that your feet, ankles, knees and hips are lined up properly ensuring a comfortable workout.

Transportation

The bike is equipped with two transport wheels, which are engaged when rear of the bike is lifted.

Operation of Your Stationary Bike

16207688000 CR800 & 16207668000 CU800 Console



POWER ON

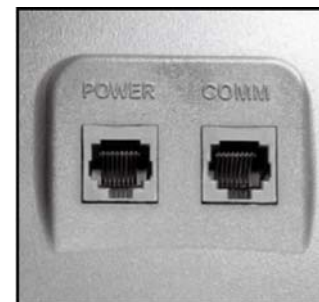
Spirit commercial bikes have a built-in generator for power and do not need to be plugged into an AC outlet. To power up the Bike simply start to pedal, the console will turn on automatically.

When initially powered on the console will perform an internal self-test. During this time all the lights will turn on for a short time. When the lights go off the dot matrix display will show a software version (i.e. VER 1.0) and the message window will display an odometer reading. The odometer reading displays how many hours the bike has been used and how many virtual miles the bike has gone. The display shows: ODO 123 MI 123 HRS.

The odometer will remain displayed for only a few seconds then the console will go to the start up display. The dot matrix display will be scrolling through the different profiles, showing the programs, and the message window will be scrolling the start up message. You may now begin your workout program.

CSAFE Feature

Your console is equipped with a CSAFE feature. The Power (POWER) port can be used for powering a remote controlled audio-visual system by connecting a cable from the remote to the Power port at the back of the console. The Communication port (COMM) can be used to interact with fitness software applications.



CONSOLE OPERATION

Quick Start

This is the quickest way to start a workout. After the console powers up you just press the **Start** key to begin. This will initiate the Quick Start mode. In Quick Start the Time will count up from zero, all workout data will start to accrue and the workload may be adjusted manually by pressing the **Up** and **Down** buttons. The dot matrix display will show a ¼ mile (0.4KM) track display or just the bottom row lit at first, depending on how the display button has been set (see Basic information below). As you increase the workload more rows will light indicating a harder workout. The bike will get harder to pedal as the rows increase. The dot matrix has 24 columns of lights and each column represents 1 minute. At the end of the 24th column (or 24 minutes of work) the display will wrap around and start at the first column again.

There are 40 levels of resistance – displayed as 10 rows of lights - available for plenty of variety. The first 10 levels are very easy workloads, and the changes between levels are set to a good progression for de-conditioned users. Levels 10-20 are more challenging but the increases from one level to the next remain small. Levels 20-30 start getting tough as the levels jump more dramatically. Levels 30-40 are extremely hard and are good for short interval peaks and elite athletic training.

Basic information

The **Dot Matrix, or Profile Window**, has two display modes. When you begin a program the dot matrix will display the workout Profile. To the left of the dot matrix there is a button labeled Display. Pressing this button once will switch the display to show a quarter mile track. If the Display button is pressed again the dot matrix will switch back and forth between Track and Profile mode every few seconds. To turn off the scan mode press the Display key again. This will return you to the profile display mode.

The **Message Window** will initially be displaying Time and Distance information. On the bottom left of the **Message Window** is a button labeled **Display**. Each time this **Display** button is pressed the next set of information will appear, four windows in all. In order: **Time and Distance, Pulse and Kcal (Calories), Speed in RPM and MPH, Work Level and Watts**, then **METs**. If the **Display** button is pressed during the **METs** display the Scan light will come on and the message window will show each set of data for four seconds then switch to the next set of data in a continuous loop. Pressing the **Display** button again will bring you back to the beginning.

Below the Dot matrix display is a **Heart Icon** and a **Bar Graph**. The Bike has a built in heart rate monitoring system. Simply grasping the hand pulse sensors, or wearing a heart rate chest belt transmitter, will start the **Heart Icon** blinking (this may take a few seconds). The Message Window will display your heart rate, or Pulse, in beats per minute. The **Bar Graph** represents the percentage of your maximum heart rate you are currently achieving. NOTE: You must enter your age during program setup for the Bar Graph to be accurate. Refer to Heart Rate section for details about these features and how they can help you work out more efficiently.

The **Stop/Reset** button actually has several functions. Pressing the Stop/Reset key once during a program will **pause** the program for 5 minutes (when you stop pedaling without AC power the display will turn off but the memory will be saved for 5 minutes just like the pause mode). If you need to get a drink, answer the phone, or any of the many things that could interrupt your workout, this is a great feature. To resume your workout during Pause just press the **Start** key or start pedaling. If the **Stop/Reset** button is pressed twice during a workout the program will end and the console will return to the start up screen. If the **Stop/Reset** key is held down for 3 seconds the console will perform a complete **Reset**. During data entry for a program the Stop/Reset key performs a **Previous Screen** function. This allows you to go back one step in the programming each time you press the **Stop/Reset** key.

The **Program Keys** are used to preview each program. When you first turn the console on you may press each program key to preview what the program profile looks like. If you decide that you want to try a program, press the corresponding program key and then press the Enter key to select the program and enter into the data-setup mode.

The program keys also act as a **Number Key Pad** when you are in the data-setup mode. Under each program key is a number. If you are setting new data such as Age, weight etc., you can use these keys to enter the numbers quickly.

The console includes a built-in fan to help keep you cool. To turn the fan on press the key on the right side, front of the console

Programming the console

Each of the programs can be customized with your personal information and changed to suit your needs. Some of the information asked for is necessary to ensure the readouts are correct. You will be asked for your **Age** and **Weight**. Entering your **Age** ensures that the Heart Rate bar graph shows the correct number. Your Age is also necessary during the Heart Rate control program to ensure the correct settings are in the program for your Age. Otherwise the work settings could be too high or low for you; entering your **Weight** aides in calculating a more correct **Calorie** reading. Although we cannot provide an exact calorie count we do want to be as close as possible.

Entering/Changing Settings

When you enter a program (by pressing a program key, then **Enter** key) you have the option of entering your own personal settings. If you want to workout without entering new settings then just press the **Start** key. This will bypass the programming of data and take you directly to the start of your workout. If you want to change the personal settings then just follow the instructions in the **Message Window**. If you start a program without changing the settings the default - or pre-saved – settings will be used.

MANUAL

The Manual program works as the name implies, manually. This means that you control the workload yourself and not the computer. To start the Manual program follow the instructions below or just press the Manual button then the Enter button and follow the directions in the message window.

1. Press the **Manual** key then press the **Enter** key.
2. The message window will ask you to enter your **Age**. You may enter your Age, using the Up and Down keys or the numeric key pad, then press the Enter key to accept the new number and proceed on to the next screen.
3. You are now asked to enter your **Weight**. You may adjust the Weight number using the Up and Down keys, or the numeric key pad, then press enter to continue.
4. The next setting is **Time**. You may adjust the Time and press enter to continue.
Now you are finished editing the settings and can begin your workout by pressing the **Start** key. You can also go back and modify your settings by pressing the **Enter** key. NOTE: At any time during the editing of Data you can press the **Stop** key to go back one level, or screen.
5. The program automatically starts you at level one. This is the easiest level and it is a good idea to stay at level one for a while to warm up. If you want to increase the work load at any time press the Up key; the Down key will decrease the workload.
6. During the Manual program you will be able to scroll through the data in the message window by pressing the adjacent **Display key**. You may also switch between the profile display and a quarter mile track by pressing the Display key adjacent to the dot matrix display.
7. When the program ends you may press Start to begin the same program again or Stop to exit the program, or you can save the program you just completed as a **custom program** by pressing the Custom key and following the instructions in the message window.

PRESET PROGRAMS

The bike has five different programs that have been designed for a variety of workout goals. These five programs have factory preset profiles for achieving these different goals. The initial built-in level of difficulty for each program is set to a relatively easy level. You may adjust the level of difficulty (Max level) for each program before beginning by following the instructions in the message window after selecting your program.

HILL

The **Hill** program simulates going up and down a hill. The resistance in the pedals will steadily increase and then decrease during the program.

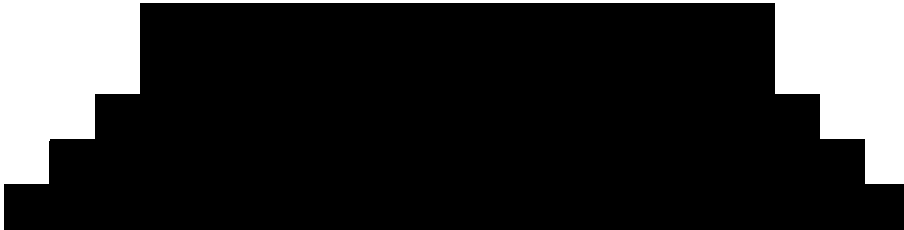
Work Profile



FATBURN

The **Fat Burn** program is designed, as the name implies, to maximize the burning of fat. There are many schools of thought on the best way to burn fat but most experts agree that a lower exertion level that stays at a steady workload is the best. The absolute best way to burn fat is to keep your heart rate at around 60% to 70% of its maximum potential. This program does not use heart rate but simulates a lower, steady exertion workout.

Work Profile



CARDIO

The **Cardio** program is designed to increase your Cardio vascular function. This is exercise for your heart and lungs. It will build up your heart muscle and increase blood flow and lung capacity. This is achieved by incorporating a higher level of exertion with slight fluctuations in work.

Work Profile



STRENGTH

The **Strength** program is designed to increase muscular strength in your lower body. This program will steadily increase in resistance to a high level and then keeps you there. This is designed to strengthen and tone your legs and glutes.

Work Profile



INTERVAL

The **Interval** program takes you through high levels of intensity followed by periods of low intensity. This program increases your endurance by depleting your oxygen level followed by periods of recovery to replenish oxygen. Your cardio vascular system gets programmed to use oxygen more efficiently this way.

Work Profile



PROGRAMMING PRESET PROGRAMS:

1. Select the desired program button then press the **Enter** key.
2. The **Message Window** will ask you to enter your **Age**. You may adjust the age setting, using the **Up** and **Down** keys, then press the **Enter** key to accept the new number and proceed on to the next screen.
3. You are now asked to enter your **Weight**. You may adjust the weight number using the **Up** and **Down** keys, then press **Enter** to continue.
4. Next is **Time**. You may adjust the **Time** and press **Enter** to continue.
5. Now you are asked to adjust the **Max Level**. This is the peak exertion level you will experience during the program (at the top of the hill). Adjust the level and then press **Enter**.
6. Now you are finished editing the settings and can begin your workout by pressing the **Start** key. You can also go back and modify your settings by pressing the **Stop** key to go back one level, or screen.
7. If you want to increase or decrease the workload at any time during the program press the **Up** or **Down** key. This will change the workload settings of the entire profile, although the profile picture on the screen will not change. The reason for this is so that you can see the entire profile at all times. If the profile picture is changed it will look distorted and not a true representation of the actual profile. When you make a change to the workload, the **Message Window** will show the current column, and program maximum, levels of work.
8. During the program you will be able to scroll through the data in the **Message Window** by pressing the **Display** key next to the message window.
9. When the program ends the **Message Window** will show a summary of your workout. The summary will be displayed for a short time then the console will return to the start-up display.

CUSTOM USER DEFINED PROGRAMS

The custom program allows you to build and save a custom program. You can build your own custom program by following the instructions below or you can save any other preset program you complete as a custom program. The custom program allows you to further personalize it by adding your facility name.

1. Press the **Custom** key. The **Message Window** will show a welcome message; if you had previously saved a program the message will contain the name you gave it. Then press the **Enter** key to begin programming.
2. When you press **Enter**, the **Message Window** will show "Name – A", if there is no name saved. If the name "Custom Workout" had been previously saved the **Message Window** will show "Name – Custom Workout" and the C in Custom will be blinking. If there is a name saved you can change it or you may press the Stop key to keep the name and continue to the next step. If you want to enter a name use the **Up** and/or the **Down** key to change the first letter then press **Enter** to save the first letter and continue to the next letter. When you have finished entering the name press the Stop key to save the name and continue to the next step.
3. The **Message Window** will ask you to enter your **Age**. You may enter your **Age**, using the **Up** and **Down** keys or the numeric key pad, then press the **Enter** key to accept the new number and proceed on to the next screen.
4. You are now asked to enter your **Weight**. You may adjust the **Weight** number using the **Up** and **Down** keys or the numeric key pad then press enter to continue.
5. Next is **Time**. You may adjust the **Time** and press **Enter** to continue.
6. Now you are asked to adjust the **Max Level**. This is the peak exertion level you will experience during the program. Adjust the level and then press **Enter**.
7. Now the first column will be blinking and you are asked to adjust the level for the first segment of the workout. When you finish adjusting the first segment, or if you don't want to change, then press **Enter** to continue to the next segment.
8. The next segment will show the same level as the previously adjusted segment. Repeat the same process as the last segment then press **Enter**. Continue this process until all twenty segments have been set.
9. The **Message Window** will then tell you to press **Enter** to save the program. After saving the program the **Message Window** says "New program saved" then will give you the option to Start or modify the program. Pressing **Stop** will exit to the start up screen.
10. If you want to increase or decrease the workload at any time during the program press the **Up** or **Down** key. This will only affect the workload for the present position in the profile. When the profile changes to the next column it will return to the preset work level.
11. During the User 1 or User 2 program you will be able to scroll through the data in the **Message Window** by pressing the adjacent **Display key**, switch between the profile display and a quarter mile track by pressing the Display key adjacent to the matrix, use the heart rate monitoring features and can switch to heart rate **Auto-Pilot** mode. See Heart Rate section for details of this feature).

FIT-TEST

The fitness test is based on the YMCA protocol and is a sub-maximal test that uses pre-determined, fixed work levels that are based on your heart rate readings as the test progresses. The test will take anywhere between 6 to 15 minutes to complete, depending on your level of fitness. The test ends when your heart rate reaches 85% of maximum at any time during the test or your heart rate is between 110 bpm and 85% at the end of two consecutive stages. At the end of the test a VO_{2max} score will be given. VO_{2max} stands for Volume of Oxygen uptake which is a measurement of how much oxygen you need to perform a known amount of work.

The YMCA protocol uses two to four 3 minute stages of continuous exercise (see charts below). You will be asked to choose either, Male or Female at the beginning of the test. This choice determines which test parameters will be used during the test as shown in the charts below. The only caveats are that if you are a very de-conditioned Male you need to choose option Female. If you are a very conditioned female you need to choose option Male.

Workload chart for male or very fit female:

| | | | | | | | | | |
|------------------|---|---|---|---|---|--|---|--|--|
| 1st Stage | | | | Level 12 - 50 watts - 300 kgm/min | | | | | |
| HR | | < 90 | | | 90 - 105 | | | > 105 | |
| 2nd Stage | | Level 29 - 150 watts - 900 kgm/min | | | Level 26 - 125 watts - 750 kgm/min | | | Level 23 - 100 watts - 600 kgm/min | |
| HR | HR <120 | HR 120-135 | HR >135 | HR <120 | HR 120-135 | HR >135 | HR <120 | HR 120-135 | HR >135 |
| 3rd stage | Level 36 - 225 watts - 1350 kgm/min | Level 34 - 200 watts - 1200 kgm/min | Level 32 - 175 watts - 1050 kgm/min | Level 34 - 200 watts - 1200 kgm/min | Level 32 - 175 watts - 1050 kgm/min | Level 29 - 150 watts - 900 kgm/min | Level 32 - 175 watts - 1050 kgm/min | Level 29 - 150 watts - 900 kgm/min | Level 26 - 125 watts - 750 kgm/min |

Workload chart for female or de-conditioned male

| | | | | |
|------------------------------|---------------------------------|--------------------------------|--------------------------------|--------------------------------|
| | | 1st Stage | Level 5 (25W) 150 kgm/min | |
| Heart Rate | HR<80 | HR: 80-90 | HR: 90-100 | HR>100 |
| 2nd Stage | Level 26 (125W) 750 kgm/min | Level 23 (100W) 600 kgm/min | Level 18 (75W) 450 kgm/min | Level 12 (50W) 300 kgm/min |
| 3rd Stage | Level 29 (150W) 900 kgm/min | Level 26 (125W) 750 kgm/min | Level 23 (100W) 600 kgm/min | Level 18 (75W) 450 kgm/min |
| 4th Stage (if needed) | Level 32 (175W) 1050 kgm/min | Level 29 (150W) 900 kgm/min | Level 25 (117W) 700 kgm/min | Level 23 (100W) 600 kgm/min |

FITNESS TEST PROGRAMMING:

1. Press the **Fit-Test** button and press **Enter**.
2. The message window will display **Gender Male**. The word Male will be blinking. Use the **Up** and **Down** arrows if you need to change to Female, then press **Enter**. The choice of Gender determines which workload chart will be used for the test.
3. The **Message Window** will ask you to enter your **Age**. You may adjust the age setting, using the **Up** and **Down** keys then press the **Enter** key to accept the new number and proceed on to the next screen.
4. You are now asked to enter your **Weight**. You may adjust the weight number using the **Up** and **Down** keys then press enter to continue.
5. Now press **Start** to begin the test, or **Enter** to modify your settings.

Before the test:

- Make sure you are in good health; check with your physician before performing any exercise if you are over the age of 35 or persons with pre-existing health conditions.
- Adjust the seat to the proper position so that when your leg is extended during pedaling there is a slight bend at the knee of about 5 degrees.
- Make sure you have warmed up and stretched before taking the test.
- Do not take in caffeine before the test.
- Hold the hand grips gently, do not tense up.

During the test:

- The console must be receiving a steady heart rate for the test to begin. You may use the hand pulse sensors or wear a heart rate chest strap transmitter.
- You must maintain a steady 50 RPM pedal speed. If your pedal speed drops below 48 RPM or goes above 52 RPM the console will emit a steady beeping sound until you are within this range.
- You may scroll through the various data readings in the message window by pressing the Display button under the message window.
 1. The message window will always display your pedal speed on the right side to help you maintain 50RPM.
 2. The data shown during the test is:
 - a. **Work in KGM** is actually an abbreviated form of kg-m/min. which is a work measurement of kilogram-force meter/minute
 - b. **Work in Watts** (1 watt is equal to 6.11829727787 kg-m/min.)
 - c. **HR** is your actual heart rate; **TGT** is the target heart rate to reach to end the test.
 - d. **Time** is the total elapsed time of the test.

After the test:

- Cool down for about one to three minutes.
- Take note of your score because the console will automatically return to the start-up mode after a few minutes.

What your score means:

VO2max Chart for males and very fit females

| | 18-25 years old | 26-35 years old | 36-45 years old | 46-55 years old | 56-65 years old | 65+ years old |
|------------------|-----------------------|-----------------------|-----------------------|-----------------------|-----------------------|---------------------|
| excellent | >60 | >56 | >51 | >45 | >41 | >37 |
| good | 52-60 | 49-56 | 43-51 | 39-45 | 36-41 | 33-37 |
| above average | 47-51 | 43-48 | 39-42 | 35-38 | 32-35 | 29-32 |
| average | 42-46 | 40-42 | 35-38 | 32-35 | 30-31 | 26-28 |
| below average | 37-41 | 35-39 | 31-34 | 29-31 | 26-29 | 22-25 |
| poor | 30-36 | 30-34 | 26-30 | 25-28 | 22-25 | 20-21 |
| very poor | <30 | <30 | <26 | <25 | <22 | <20 |

VO2max Chart for females and de-conditioned males

| | 18-25 years old | 26-35 years old | 36-45 years old | 46-55 years old | 56-65 years old | 65+ years old |
|------------------|-----------------------|-----------------------|-----------------------|-----------------------|-----------------------|---------------------|
| excellent | 56 | 52 | 45 | 40 | 37 | 32 |
| good | 47-56 | 45-52 | 38-45 | 34-40 | 32-37 | 28-32 |
| above average | 42-46 | 39-44 | 34-37 | 31-33 | 28-31 | 25-27 |
| average | 38-41 | 35-38 | 31-33 | 28-30 | 25-27 | 22-24 |
| below average | 33-37 | 31-34 | 27-30 | 25-27 | 22-24 | 19-22 |
| poor | 28-32 | 26-30 | 22-26 | 20-24 | 18-21 | 17-18 |
| very poor | <28 | <26 | <22 | <20 | <18 | <17 |

HEART RATE PROGRAMS

A word about Heart Rate:

The old motto, “no pain, no gain”, is a myth that has been overpowered by the benefits of exercising comfortably. A great deal of this success has been promoted by the use of heart rate monitors. With the proper use of a heart rate monitor, many people find that their usual choice of exercise intensity was either too high or too low and exercise is much more enjoyable by maintaining their heart rate in the desired benefit range.

To determine the benefit range in which you wish to train, you must first determine your Maximum Heart Rate. This can be accomplished by using the following formula: 220 minus your age. This will give you the Maximum heart rate (MHR) for someone of your age. To determine the effective heart rate range for specific goals you simply calculate a percentage your MHR. Your Heart rate training zone is 50% to 90% of your maximum heart rate. 60% of your MHR is the zone that burns fat while 80% is for strengthening the cardio vascular system. This 60% to 80% is the zone to stay in for maximum benefit.

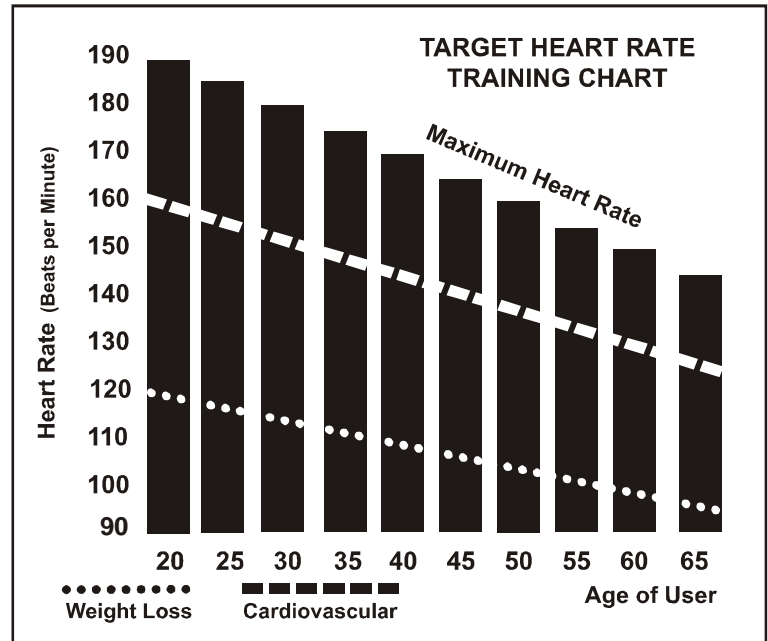
For someone who is 40 years old their target heart rate zone is calculated:

$$\begin{aligned} 220 - 40 &= 180 \text{ (maximum heart rate)} \\ 180 \times .6 &= 108 \text{ beats per minute (60\% of maximum)} \\ 180 \times .8 &= 144 \text{ beats per minute (80\% of maximum)} \end{aligned}$$

So for a 40 year old the training zone would be 108 to 144 beats per minute.

If you enter your age during programming the console will perform this calculation automatically. Entering your age is used for the Heart Rate control programs. After calculating your Maximum Heart Rate you can decide upon which goal you would like to pursue.

The two most popular reasons for, or goals, of exercise are cardiovascular fitness (training for the heart and lungs) and weight control. The black columns on the chart above represent the Maximum Heart Rate for a person whose age is listed at the bottom of each column. The training heart rate, for either cardiovascular fitness or weight loss, is represented by two different lines that cut diagonally through the chart. A definition of the lines' goal is in the bottom left-hand corner of the chart. If your goal is cardiovascular fitness or if it is weight loss, it can be achieved by training at 80% or 60%, respectively, of your Maximum Heart Rate on a schedule approved by your physician. Consult your physician before participating in any exercise program.



RATE OF PERCEIVED EXERTION

Heart rate is important but listening to your body also has a lot of advantages. There are more variables involved in how hard you should workout than just heart rate. Your stress level, physical health, emotional health, temperature, humidity, the time of day, the last time you ate and what you ate, all contribute to the intensity at which you should workout. If you listen to your body, it will tell you all of these things.

The rate of perceived exertion (RPE), also know as the Borg scale, was developed by Swedish physiologist G.A.V. Borg. This scale rates exercise intensity from 6 to 20 depending upon how you feel or the perception of your effort.

The scale is as follows:

Rating Perception of Effort

- 6 Minimal
- 7 Very, very light
- 8 Very, very light +
- 9 Very light
- 10 Very light +
- 11 Fairly light
- 12 Comfortable
- 13 Somewhat hard
- 14 Somewhat hard +
- 15 Hard
- 16 Hard +
- 17 Very hard
- 18 Very hard +
- 19 Very, very hard
- 20 Maximal

You can get an approximate heart rate level for each rating by simply adding a zero to each rating. For example a rating of 12 will result in an approximate heart rate of 120 beats per minute. Your RPE will vary depending up the factors discussed earlier. That is the major benefit of this type of training. If your body is strong and rested, you will feel strong and your pace will feel easier. When your body is in this condition, you are able to train harder and the RPE will support this. If you are feeling tired and sluggish, it is because your body needs a break. In this condition, your pace will feel harder. Again, this will show up in your RPE and you will train at the proper level for that day.

Using a Heart Rate Transmitter (optional)

How to wear your wireless chest strap transmitter:

1. Attach the transmitter to the elastic strap using the locking parts.
2. Adjust the strap as tightly as possible as long as the strap is not too tight to remain comfortable.
3. Position the transmitter with the logo centered in the middle of your body facing away from your chest (some people must position the transmitter slightly left of center). Attach the final end of the elastic strap by inserting the round end and, using the locking parts, secure the transmitter and strap around your chest.
4. Position the transmitter immediately below the pectoral muscles.
5. Sweat is the best conductor to measure very minute heart beat electrical signals. However, plain water can also be used to pre-wet the electrodes (2 black square areas on the reverse side of the belt and either side of transmitter). It's also recommended that you wear the transmitter strap a few minutes before your work out. Some users, because of body chemistry, have a more difficult time in achieving a strong, steady signal at the beginning. After "warming up", this problem lessens. As noted, wearing clothing over the transmitter/strap doesn't affect performance.
6. Your workout must be within range - distance between transmitter/receiver – to achieve a strong steady signal. The length of range may vary somewhat but generally stay close enough to the console to maintain good, strong, reliable readings. Wearing the transmitter immediately against bare skin assures you of proper operation. If you wish, you may wear the transmitter over a shirt. To do so, moisten the areas of the shirt that the electrodes will rest upon.

Note: The transmitter is automatically activated when it detects activity from the user's heart. Additionally, it automatically deactivates when it does not receive any activity. Although the transmitter is water resistant, moisture can have the effect of creating false signals, so you should take precautions to completely dry the transmitter after use to prolong battery life (estimated transmitter battery life is 2500 hours). If your chest strap has a replaceable battery the replacement battery is Panasonic CR2032.

ERRATIC OPERATION:

Caution! Do not use this bike for Heart Rate Control unless a steady, solid Actual Heart Rate value is being displayed. High, wild, random numbers being displayed indicate a problem.

Areas to look at for interference, which may cause erratic heart rate:

- (1) Microwave ovens, TVs, small appliances, etc.
- (2) Fluorescent lights.
- (3) Some household security systems.
- (4) Perimeter fence for a pet.
- (5) Some people have problems with the transmitter picking up a signal from their skin. If you have problems try wearing the transmitter upside down.
- (6) The antenna that picks up your heart rate is very sensitive. If there is an outside noise source, turning the whole machine 90 degrees may de-tune the interference.
- (7) If you continue to experience problems contact your dealer.

HEART RATE CONTROL (HR) PROGRAM OPERATION

To start the **HR** program follow the instructions below or just press the HR key then the Enter button and follow the directions in the message window.

1. Press the **HR** key then press the **Enter** key.
2. The message window will ask you to enter your **Age**. You may enter your Age, using the **Up** and **Down** keys or the numeric key pad, then press the **Enter** key to accept the new number and proceed on to the next screen.
3. You are now asked to enter your **Weight**. You may adjust the Weight number using the **Up** and **Down** keys or the numeric key pad, then press **Enter** to continue.
4. Next is **Time**. You may adjust the Time and press **Enter** to continue.
5. Now you are asked to adjust the **Heart rate Level**. This is the heart rate level you will experience during the program. Adjust the level and then press **Enter**.
6. Now you are finished editing the settings and can begin your workout by pressing the **Start** key. You can also go back and modify your settings by pressing the **Enter** key. NOTE: At any time during the editing of Data you can press the **Stop** key to go back one level, or screen.
7. If you want to increase or decrease the workload at any time during the program press the **Up** or **Down** key. This will allow you to change your target heart rate at any time during the program.
8. The program will automatically increase or decrease the amount of resistance, depending on whether your heart rate is above or below your target.
9. During the HR program you will be able to scroll through the data in the message window by pressing the adjacent **Display key**.
10. When the program ends you may press **Start** to begin the same program again or **Stop** to exit the program or you can save the program you just completed as a **custom user program** by pressing a User key and following the instructions in the message window.

CONSTANT POWER PROGRAM

Constant Power Program operation (Not to be used for medical purposes)

Constant Power program is a controllable constant power that is adjustable LEVEL when your speed is changed. To start the Constant Power program follow the instructions below or just press the **Constant Power** key then the **Enter** button and follow the directions in the message window.

1. Press the Constant Power key then press the **Enter** key.
2. The message window will ask you to enter your Age. You may enter your Age, using the **Up** and **Down** keys or the numeric key pad, then press the Enter key to accept the new number and proceed on to the next screen.
3. You are now asked to enter your Weight. You may adjust the Weight number using the **Up** and **Down** keys or the numeric key pad, then press **Enter** to continue.
4. Next is Time. You may adjust the Time and press **Enter** to continue.
5. Now you are asked to adjust the Target Watts. This is the constant power you will experience during the program. Adjust the **Up/Down** and then press **Enter**.
6. Now you are finished editing the settings and can begin your workout by pressing the **Start** key. You can also go back and modify your settings by pressing the **Enter** key. NOTE: At any time during the editing of Data you can press the **Stop** key to go back one level, or screen.
7. If you want to increase or decrease the workload at any time during the program press the **Up** or **Down** key. This will allow you to change your target Watts at any time during the program.
8. During the Constant Power program you will be able to scroll through the data in the Message

Window by pressing the adjacent **Display** key.

9. When the program ends you may press **Start** to begin the same program again or **Stop** to exit the program and following the instructions in the message window.

GENERAL MAINTENANCE

1. Wipe down all areas in the sweat path with a damp cloth after each workout.
2. If a squeak, thump, clicking or rough feeling develops the main cause is most likely one of two reasons:
 - 1) The hardware was not sufficiently tightened during assembly. All bolts that were installed during assembly need to be tightened as much as possible. It may be necessary to use a larger wrench than the one provided if you cannot tighten the bolts sufficiently. I cannot stress this point enough; 90% of calls to the service department for noise issues can be traced to loose hardware.
 - 2) The crank arm nut and/or the pedals need to be retightened.
 - 3) If squeaks or other noises persist, check that the unit is properly leveled. There are 2 leveling pads on the bottom of the rear stabilizer, use a 14mm wrench (or adjustable wrench) to adjust the levelers.

Maintenance Menu in console software:

The console has built in maintenance/diagnostic software. The software will allow you to change the console settings from English to Metric and turn off the beeping of the speaker when a key is pressed for example. To enter the Maintenance menu (may be called Engineering mode, depending on version) press and hold down the **Start**, **Stop** and **Enter** keys. Keep holding the keys down for about 5 seconds and the message window will display "ALTXXXX Engineering mode". Press the **Enter** button to access the menu below:

- a. Key Test (Will allow you to test all the keys to make sure they are functioning)
- b. Security (Allows you to lock the keypad so no unauthorized use is allowed; Off; to turn On, press Level Up, then the Enter key)
- c. Functions (Press Enter to access settings)
 - i. Sleep Mode (Turn on to have the console power down automatically after 20 minutes of inactivity)
 - ii. Elliptical or Bike (Sets the console software calculations)
 - iii. DA Test (Tests the brake resistance)
 - iv. Beep (Turn on or off the beep when a key is pressed)
 - v. Units (Set to English or Metric display readings)
 - vi. Odometer Reset (Resets the odometer)
 - vii. Pause Mode (Turn on allow 5 minutes of pause, turn off to have the console pause indefinitely)
- d. Display Test (Tests all the display functions)

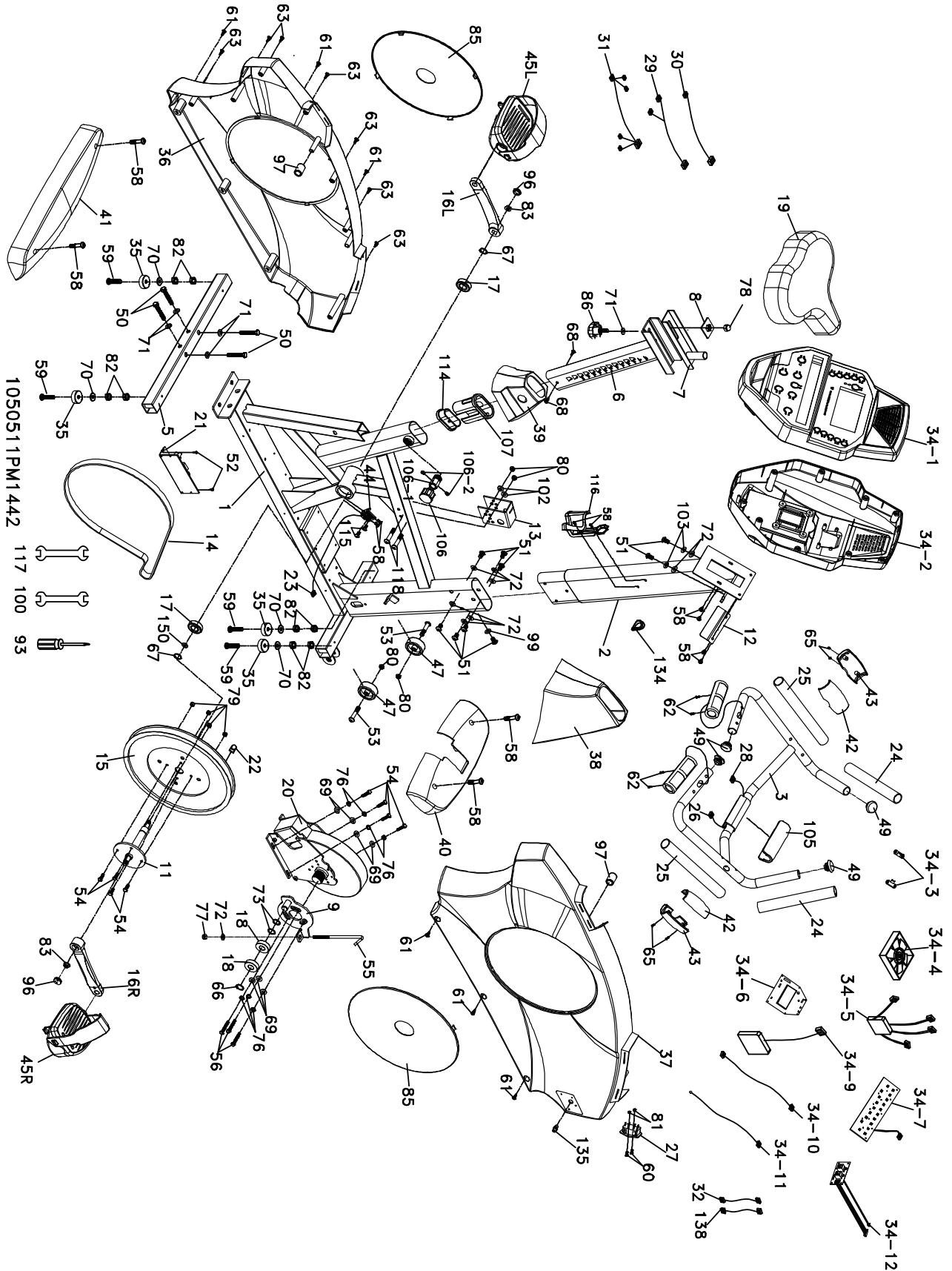
| KEY NO | PART NO | DESCRIPTION | QTY |
|--------|----------|--------------------------------------|-----|
| 1 | 6880001 | Main Frame | 1 |
| 2 | 6880002 | Console Mast | 1 |
| 3 | 6880003 | Mast Handle bar Assembly | 1 |
| 4 | 6880004 | Seat Carriage | 1 |
| 5 | 6880005 | Seat Back Frame | 1 |
| 6 | 6880006 | Handle Bar | 1 |
| 7 | 6880007 | Rear Stabilizer | 1 |
| 8 | 6880008 | Crank Axle | 1 |
| 9L | 6880009L | Seat Wheel Adjustment Plate (L) | 2 |
| 9R | 6880009R | Seat Wheel Adjustment Plate (R) | 2 |
| 10 | 6880010 | Idler Wheel Assembly | 1 |
| 11 | 6880011 | Seat Stop Axle | 2 |
| 12 | 6880012 | Seat Position Latch | 1 |
| 13 | 6880013 | Backing Plate | 3 |
| 14 | 6880014 | Aluminum Track | 1 |
| 15 | 6880015 | Rack | 1 |
| 16 | 6880016 | Spacer for Stopper Axle | 4 |
| 17 | 6880017 | Rubber Foot | 2 |
| 18 | 6880018 | Transportation Wheel | 2 |
| 19 | 6880019 | Console Assembly | 1 |
| 20 | 6880020 | Drive Pulley | 1 |
| 21 | 6880021 | 950m/m_Handpulse W/Cable Assembly(R) | 1 |
| 22 | 6880022 | Rubber Foot Pad | 2 |
| 23 | 6880023 | Ø32 (3.0T)_Button Head Plug | 2 |
| 24 | 6880024 | Ø25.4 (3.0T)_Button Head Plug | 2 |
| 25 | 6880025 | Seat Track Wheel | 8 |
| 26 | 6880026 | 300m/m_Handpulse Wire, Coiled | 1 |
| 27 | 6880027 | 750m/m_Handpulse W/Cable Assembly(L) | 1 |
| 28 | 6880028 | Crank Arm End Cap | 2 |
| 29 | 6880029 | Front Shroud (L) | 1 |
| 30 | 6880030 | Front Shroud (R) | 1 |
| 31 | 6880031 | Console Mast Cover | 1 |
| 32 | 6880032 | Front Stabilizer Cover | 1 |
| 33 | 6880033 | Bottom Cover | 1 |
| 34 | 6880034 | Round Disk | 2 |
| 35 | 6880035 | Rear Shroud (L) | 1 |
| 36 | 6880036 | Rear Shroud (R) | 1 |

| KEY NO | PART NO | DESCRIPTION | QTY |
|--------|----------|--|-----|
| 37 | 6880037 | Rear Stabilizer Cover | 1 |
| 38 | 6880038 | Drink Bottle Holder (R) | 1 |
| 39 | 6880039 | Drink Bottle Holder (L) | 1 |
| 42 | 6880042 | 300m/m_Hand Pulse Sensor Assembly W/Cable | 1 |
| 43 | 6880043 | Generator/Brake Controller | 1 |
| 44 | 6880044 | Computer Cable | 1 |
| 45 | 6880045 | 2100m/m_Hand Pulse Sensor Assembly W/Cable | 1 |
| 46 | 6880046 | 400m/m_Hall Sensor | 1 |
| 47 | 6880047 | 750m/m_Wire Brake Coil Harness | 1 |
| 48 | 6880048 | 1100m/m_Generator Wire Harness | 1 |
| 49 | 6880049 | 80m/m_Connecting Wire (White) | 1 |
| 51L | 6880051L | Crank Arm (L) | 1 |
| 51R | 6880051R | Crank Arm (R) | 1 |
| 52 | 6880052 | 6004_Bearing | 2 |
| 53 | 6880053 | 6203_Bearing | 2 |
| 54 | 6880054 | Drive Belt | 1 |
| 55 | 6880055 | Generator/Brake | 1 |
| 56 | 6880056 | Magnet | 1 |
| 61 | 6880061 | Seat | 1 |
| 63 | 6880063 | Seat Back | 1 |
| 64 | 6880064 | Handgrip Foam | 2 |
| 65 | 6880065 | 3/8" x 2- 1/4"_Hex Head Bolt | 4 |
| 66 | 6880066 | 1/4" x 3/4"_Hex Head Bolt | 8 |
| 68 | 6880068 | 5/16" x 5/8"_Hex Head Bolt | 8 |
| 71 | 6880071 | 3/8" x 2"_Hex Head Bolt | 4 |
| 72 | 6880072 | 1/4" x 13 x 1T_Flat Washer | 16 |
| 73 | 6880073 | 1/4" x 19 x 1.5T_Flat Washer | 4 |
| 75 | 6880075 | Ø17 x 23.5 x 1T_Flat Washer | 2 |
| 76 | 6880076 | 5/16" x 18 x 1.5T_Flat Washer | 7 |
| 77 | 6880077 | 3/8" x 19 x 1.5T_Flat Washer | 14 |
| 78 | 6880078 | 3/16" x 15 x 1.5T_Flat Washer | 3 |
| 79 | 6880079 | Ø8 x Ø18 x 3T_Knurled Lock Washer | 4 |
| 80 | 6880080 | Ø1/4"_Split Washer | 7 |
| 82 | 6880082 | 5/16" x 1.5T_Split Washer | 8 |
| 83 | 6880083 | 5/16" x 19 x 1.5T_Curved Washer | 2 |
| 84 | 6880084 | 3/8" x 25 x 2.0T_Flat Washer | 4 |
| 85 | 6880085 | Ø17_C Ring | 1 |

| KEY NO | PART NO | DESCRIPTION | QTY |
|--------|---------|--|-----|
| 86 | 6880086 | Ø20_C Ring | 2 |
| 87 | 6880087 | M8 x 170m/m_ J Bolt | 1 |
| 88 | 6880088 | M8 x 7T _Nyloc Nut | 5 |
| 89 | 6880089 | 3/8" x 7T_Nyloc Nut | 6 |
| 90 | 6880090 | 1/4" x 8T_Nyloc Nut | 4 |
| 91 | 6880091 | 5/16" x 6T_Nyloc Nut | 2 |
| 92 | 6880092 | M4 x 5T_Nyloc Nut | 2 |
| 93 | 6880093 | M6 x 38m/m_Socket Head Cap Bolt | 1 |
| 94 | 6880094 | 5/16" x 3/4" _Hex Head Bolt | 6 |
| 95 | 6880095 | M5 x 12m/m_Flat Head Socket Screw | 10 |
| 97 | 6880097 | Ø3 x 20m/m_Tapping Screw | 4 |
| 98 | 6880098 | M6 x 15m/m_Phillips Head Screw | 7 |
| 99 | 6880099 | M5 x 12m/m_Phillips Head Screw | 12 |
| 100 | 6880100 | M4 x 12m/m_Phillips Head Screw | 2 |
| 101 | 6880101 | 5 x 16m/m_Tapping Screw | 8 |
| 102 | 6880102 | 5 x 19m/m_Tapping Screw | 4 |
| 103 | 6880103 | Ø3.5 x 16m/m_Sheet Metal Screw | 14 |
| 104 | 6880104 | Spring | 1 |
| 105 | 6880105 | Ø4 x 16 m/m_Sheet Metal Screw | 4 |
| 106 | 6880106 | 5/16" x 1- 3/4" _Button Head Socket Bolt | 2 |
| 107 | 6880107 | Ø3.5 x 20m/m_Sheet Metal Screw | 3 |
| 108 | 6880108 | M10 x 1.25_Nut | 2 |
| 109 | 6880109 | 3/8" x 7T_Nut | 4 |
| 110 | 6880110 | 3/8" x 2" _Flat Head Socket Bolt | 2 |
| 111 | 6880111 | M5 x 10.Ø14 x 2T_Thumb Head Socket Screw | 8 |
| 112 | 6880112 | 12.14m/m _Wrench | 1 |
| 114 | 6880114 | Phillips Head Screw Driver | 1 |
| 116 | 6880116 | Pedal (L.R) | 1 |
| 124 | 6880124 | Rod End Sleeve | 1 |
| 125 | 6880125 | Seat Carriage Cover | 1 |
| 126 | 6880126 | HGP Wire Grommet | 1 |
| 127 | 6880127 | 5/16" x 16 x 1T_Flat Washer | 3 |
| 128 | 6880128 | Seat Back Cover | 1 |
| 129 | 6880129 | M6_Nyloc Nut | 1 |
| 132 | 6880132 | 14.15m/m _Wrench | 1 |
| 136 | 6880136 | M5 x 15m/m_Phillips Head Screw | 4 |

| KEY NO | PART NO | DESCRIPTION | QTY |
|--------|----------|------------------------------------|-----|
| 140 | 68800140 | Hall Sensor Rack | 1 |
| 141 | 68800141 | Handle Bar Cover | 1 |
| 143 | 68800143 | Seat Track Fixing Plate | 1 |
| 148 | 68800148 | Block | 1 |
| 160 | 68800160 | 5/16" x 16 x 1.5T_Flat Washer | 6 |
| 161 | 68800161 | M6 x 10L_Flat Phillips Head Screw | 4 |
| 162 | 68800162 | 1/4" x 16 x 1.0T_Flat Washer | 4 |
| 163 | 68800163 | Sleeve | 4 |
| 164 | 68800164 | M6 x 19L_Nut | 4 |
| 165 | 68800165 | M6 x 10L_Button Head Socket Bolt | 4 |
| 166 | 68800166 | PU Wheel | 4 |
| 167 | 68800167 | Seat Front/Aft Adjustment Lever | 1 |
| 168 | 68800168 | Lever Anchor | 1 |
| 169 | 68800169 | M5 x 25m/m_Flat Head Socket Screw | 2 |
| 170 | 68800170 | Ø15 x Ø6 x 4T_Nylon Washer | 1 |
| 171 | 68800171 | M5 x 45m/m_Socket Head Cap Bolt | 1 |
| 172 | 68800172 | Ø3/16" x 10 x 1T_Flat Washer | 1 |
| 173 | 68800173 | M5 x 5T_Nyloc Nut | 1 |
| 174 | 68800174 | Ø3 x 12m/m_Sheet Metal Screw | 2 |
| 175 | 68800175 | 3/8" x 2- 3/4" _Hex Head Bolt | 2 |
| 176 | 68800176 | 3/8" x 3/4" _Hex Head Bolt | 6 |
| 177 | 68800177 | Rubber Foot Pad | 1 |
| 178 | 68800178 | Square End Cap | 1 |
| 179 | 68800179 | M8 x 15m/m_Button Head Socket Bolt | 4 |
| 180 | 68800180 | M5 x 30m/m_Phillips Head Screw | 4 |
| 185 | 68800185 | 3/8" x 4T_Nut | 1 |
| 186 | 68800186 | M6 x 18m/m_Phillips Head Screw | 4 |
| 189 | 68800189 | Rubber Pad | 1 |
| 193 | 68800193 | 37 x 36_Round Cap | 1 |
| 194 | 68800194 | TV Adapter (5C2V) | 1 |
| 195 | 68800195 | AC Electronic Module | 1 |
| 198 | 68800198 | 80m/m_Connecting Wire (Black) | 1 |

16207668000 CU800 PARTS DIAGRAM & LIST



| KEY NO | PART NO | DESCRIPTION | QTY |
|--------|----------|--------------------------------|-----|
| 1 | 6680001 | Main Frame | 1 |
| 2 | 6680002 | Console Mast | 1 |
| 3 | 6680003 | Handle Bar | 1 |
| 5 | 6680005 | Rear Stabilizer | 1 |
| 6 | 6680006 | Seat Slider | 1 |
| 7 | 6680007 | Sliding Seat Mount | 1 |
| 8 | 6680008 | Fix Plate | 1 |
| 9 | 6680009 | Idler Wheel Assembly | 1 |
| 11 | 6680011 | Crank Axle | 1 |
| 12 | 6680012 | Fixing Plate Cover | 1 |
| 13 | 6680013 | Chain Cover Bracket | 1 |
| 14 | 6680014 | Drive Belt | 1 |
| 15 | 6680015 | Drive Pulley | 1 |
| 16L | 6680016L | Crank Arm (L) | 1 |
| 16R | 6680016R | Crank Arm (R) | 1 |
| 17 | 6680017 | 6004_Bearing | 2 |
| 18 | 6680018 | 6203_Bearing | 2 |
| 19 | 6680019 | Seat | 1 |
| 20 | 6680020 | Generator/Brake | 1 |
| 21 | 6680021 | Generator/Brake Controller | 1 |
| 22 | 6680022 | Magnet | 1 |
| 23 | 6680023 | Hall Sensor | 1 |
| 24 | 6680024 | 1" x 255L x 5T_Handgrip Foam | 2 |
| 25 | 6680025 | 1" x 205L x 5T_Handgrip Foam | 2 |
| 26 | 6680026 | Handpulse Assembly (White) | 1 |
| 27 | 6680027 | AC Electronic Module | 1 |
| 28 | 6680028 | Handpulse Assembly (Red) | 1 |
| 29 | 6680029 | 2000m/m_Computer Cable | 1 |
| 30 | 6680030 | 200m/m_Wire Brake Coil Harness | 1 |
| 31 | 6680031 | 550m/m_Generator Wire Harness | 1 |
| 32 | 6680032 | 80m/m_Connecting Wire (White) | 1 |
| 34 | 6680034 | Console Assembly | 1 |
| 35 | 6680035 | Rubber Foot | 4 |
| 36 | 6680036 | Chain Cover (L) | 1 |
| 37 | 6680037 | Chain Cover (R) | 1 |
| 38 | 6680038 | Console Mast Cover | 1 |
| 39 | 6680039 | Seat Post Cover | 1 |

| KEY NO | PART NO | DESCRIPTION | QTY |
|--------|---------|---|-----|
| 40 | 6680040 | Front Stabilizer Cover | 1 |
| 41 | 6680041 | Rear Stabilizer Cover | 1 |
| 42 | 6680042 | Handgrip Side Cap (Top) | 2 |
| 43 | 6680043 | Handgrip Side Cap (Bottom) | 2 |
| 44 | 6680044 | Hall Sensor Rack | 1 |
| 45 | 6680045 | Pedal (L, R) | 1 |
| 47 | 6680047 | Transportation Wheel | 2 |
| 49 | 6680049 | Ø25.4 x 2.0T_ Button Head Plug | 4 |
| 50 | 6680050 | 3/8" x 2-1/4" _Hex Head Bolt | 4 |
| 51 | 6680051 | 5/16" x 5/8" _Hex Head Bolt | 9 |
| 52 | 6680052 | 5 x 19m/m _Tapping Screw | 2 |
| 53 | 6680053 | 5/16" x 1-3/4" _Button Head Socket Bolt | 2 |
| 54 | 6680054 | 1/4" x 3/4" _Hex Head Bolt | 8 |
| 55 | 6680055 | M8 x 170m/m _J Bolt | 1 |
| 56 | 6680056 | M6 x 15m/m _Phillips Head Screw | 3 |
| 58 | 6680058 | M5 x 12m/m _Phillips Head Screw | 12 |
| 59 | 6680059 | 3/8" x 2m/m _Flat Head Socket Bolt | 4 |
| 61 | 6680061 | 5 x 16m/m _Tapping Screw | 6 |
| 62 | 6680062 | Ø3 x 20m/m _Tapping Screw | 4 |
| 63 | 6680063 | Ø3.5 x 16m/m _Sheet Metal Screw | 7 |
| 65 | 6680065 | Ø3 x 10m/m _Tapping Screw | 4 |
| 66 | 6680066 | Ø17 _C Ring | 1 |
| 67 | 6680067 | Ø20 _C Ring | 2 |
| 68 | 6680068 | 4 x 12m/m _Sheet Metal Screw | 2 |
| 69 | 6680069 | 1/4" x 13 x 1T _Flat Washer | 7 |
| 70 | 6680070 | 3/8" x 19 x 1.5T _Flat Washer | 4 |
| 71 | 6680071 | 3/8" x 25mm x 2.0T _Flat Washer | 5 |
| 72 | 6680072 | 5/16" x 18mm x 1.5T _Flat Washer | 9 |
| 73 | 6680073 | Ø17 x 23.5 x 1T _Flat Washer | 2 |
| 76 | 6680076 | Ø1/4" _Split Washer | 7 |
| 77 | 6680077 | M8 x 7T _Nyloc Nut | 1 |
| 78 | 6680078 | 3/8" x 7T _Cap Nut | 1 |
| 79 | 6680079 | 1/4" x 8T _Nyloc Nut | 4 |
| 80 | 6680080 | 5/16" x 6T _Nyloc Nut | 4 |
| 81 | 6680081 | M4 x 5T _Nyloc Nut | 2 |
| 82 | 6680082 | 3/8" x 7T _Nut | 8 |

| KEY NO | PART NO | DESCRIPTION | QTY |
|--------|------------|------------------------------------|-----|
| 83 | 6680083 | M10 x 1.25_ Nut | 2 |
| 85 | 6680085 | Round Disk | 2 |
| 86 | 6680086 | Fore Aft Adjustment Knob | 1 |
| 93 | 6680093 | Phillips Head Screw Driver | 1 |
| 96 | 6680096 | Crank Arm End Cap | 2 |
| 97 | 6680097 | Spacer for Stopper Axle | 2 |
| 99 | 6680099 | 5/16" x 19 x 1.5T_Curved Washer | 1 |
| 100 | 66800100 | 12/14m/m_Wrench | 1 |
| 102 | 66800102 | 5/16" x 16 x 1.0T_Flat Washer | 2 |
| 103 | 66800103 | 5/16" x 1.5T_Split Washer | 2 |
| 105 | 66800105 | Front Handle Bar Cover | 1 |
| 106 | 66800106 | Seat Up/Down Adjustment Knob | 1 |
| 106~1 | 66800106-1 | 22m/m x M16 x M22 x 37m/m_Knob Nut | 1 |
| 106~2 | 66800106-2 | M4 x 5L_Phillips Head Screw | 2 |
| 107 | 66800107 | Center spatial wrap | 1 |
| 114 | 66800114 | Slide Spacer | 1 |
| 115 | 66800115 | Ø3 x 12m/m_Sheet Metal Screw | 2 |
| 116 | 66800116 | Drink Bottle Holder | 1 |
| 117 | 66800117 | 13/15m/m_Wrench | 1 |
| 118 | 66800118 | 5/16" x 2-1/4" _Hex Head Bolt | 2 |
| 134 | 66800134 | 37 x 36_Round Cap | 1 |
| 135 | 66800135 | TV Adapter (5C2V) | 1 |
| 138 | 66800138 | 80m/m_Connecting Wire (Black) | 1 |
| 150 | 66800150 | Rubber Pad | 1 |

Manufacturer's Limited Warranty

Dyaco Canada Inc. warrants all its bike parts for a period of time listed below, from the date of retail sale, as determined by a sales receipt. Dyaco Canada Inc.'s responsibilities include providing new or remanufactured parts, at Dyaco Canada Inc.'s option, and technical support to our independent dealers and servicing organizations. In the absence of a dealer or service organization, these warranties will be administered by Dyaco Canada Inc. directly to a consumer. The warranty period applies to the following components:

| Home Warranty | | Commercial Warranty (Non-dues paying facility) | |
|---------------|----------|--|----------|
| Frame | Lifetime | Frame | Lifetime |
| Electronics | 10 Years | Electronics | 5 Years |
| Parts | 10 Years | Parts | 5 Years |
| Labour | 2 Years | Labour | 2 Years |

This warranty is not transferable and is extended only to the original owner. The warranty shall not apply to exercise units which are (1) used for commercial or other income producing purposes, or (2) subject to misuse, neglect, accident or unauthorized repair and alterations.

This warranty provided herein is lieu of all other express warranties, any implied warranties, including any implied warranties of merchantability of fitness for particular purpose, are limited in duration to the first 24 months from date of purchase. All other obligations or liabilities, including liability for consequential damages are hereby excluded.

REPAIR PARTS AND SERVICE

All of the parts for the Spirit cycle shown in figure can be ordered from Dyaco Canada Inc. 5955 Don Murie Street, Niagara Falls, Ontario L2G 0A9. When ordering parts, the parts will be sent and billed at the current prices. Prices may be subject to change without notice. Cheque or money order must accompany all orders. Standard hardware items are available at your local hardware store.

To ensure prompt and correct handling of any errors, or to answer any questions, please call our Toll Free number: 1-888-707-1880, or local number 1-905-353-8955 or fax 1-905-353-8968, email customerservice@dyaco.ca or visit our website at www.dyaco.ca. Office hours are from 8:30 AM to 5:00 PM Monday to Friday Eastern Standard Time.

Always include the following information when ordering parts

- Model number
- Name of each part
- Part number of each part

DYACO

CANADA INC.

Please visit us online for information about our other brands and products manufactured and distributed by Dyaco Canada Inc.



www.dyaco.ca



www.dyaco.ca



www.dyaco.ca



www.dyaco.ca



www.spiritfitnesscanada.ca
www.dyaco.ca



www.spiritfitnesscanada.ca
www.dyaco.ca



www.solefitness.ca
www.dyaco.ca



www.trainorsports.ca
www.dyaco.ca



www.xterrafitness.ca
www.dyaco.ca