



SPIRIT

M E D I C A L
S Y S T E M S G R O U P

A Heritage of Quality | The Spirit of Innovation



MA 900 RAC Adaptive Kit OWNER'S MANUAL

RAC Adaptive Kit Assembly Instructions

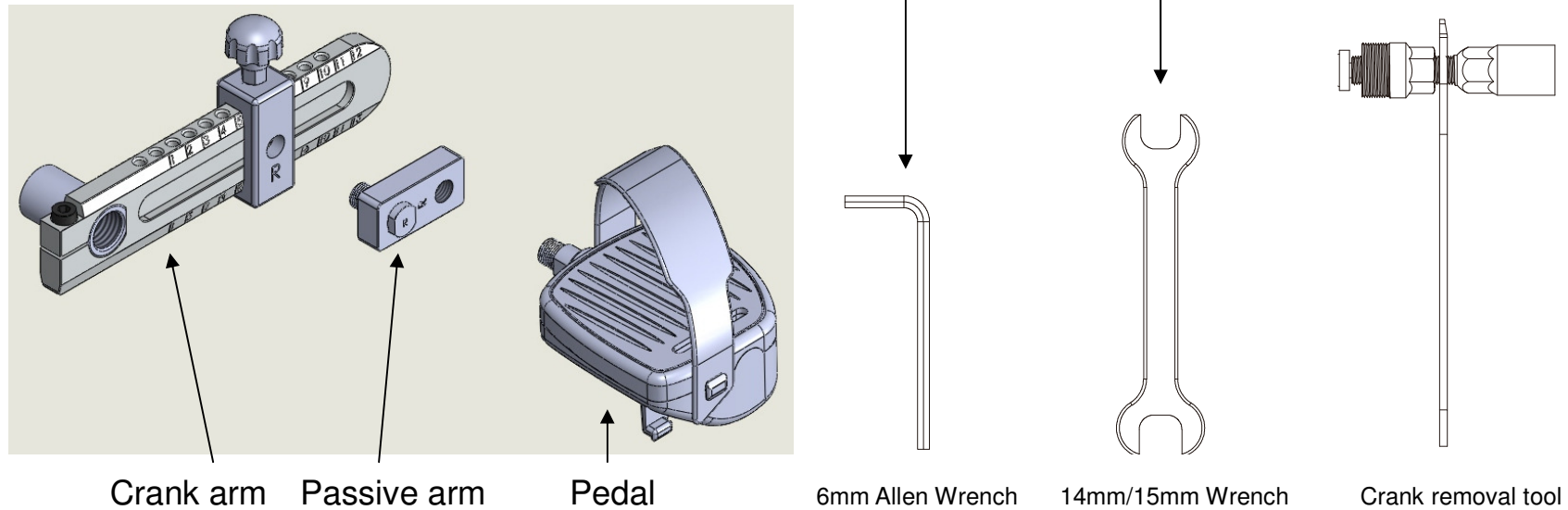
Thank you for purchasing the Rehabilitation Adjustable Crank (RAC) from Dyaco Canada Inc. Once installed on a Spirit Medical rehabilitation bike or most other standard stationary bikes with a three piece crank, the RAC Set enables a clinician to adjust the bikes to accommodate a patient's performance capabilities. This includes independently, single side or bi-lateral adjustments from a limited range-of-motion as small as 15 degrees through full range-of-motion performance.

The following set of instructions should give you all the information you need to properly install the RAC on your stationary bike. If you find you are missing parts or have questions regarding assembly please contact Spirit service for assistance.

Package checklist

Before starting please check to make sure that all the parts and tools are in the box. The box should contain:

- 1 - set (left and right) of crank arms with adjustment slide.
- 1 - set of pedals (left and right)
- 1 - set of passive arm pedal cranks (left and right)
- 1 - crank removal tool
- 1 - open-end wrench, 14mm & 15mm
- 1 - 6mm allen wrench



RAC Adaptive Kit Assembly Instructions

IMPORTANT INFORMATION: *The RAC cranks, passive arms and pedals have left and right threads. These items all have an L or R clearly marked on them for easy identification. The threads for the Right side of the bike will turn CLOCKWISE to tighten. Threads on the Left side of the bike will turn COUNTER-CLOCKWISE to tighten.*

NOTE: The first three steps show how to remove the stock crank arm from your bike. Some bikes may vary from these instructions.

1. Remove dust cap. Remove the nut that holds the crank arm in place using the socket end of the crank removal tool.



2. Remove the silver colored cap from the tool as shown in the picture. You will not need this cap for crank removal, but do not lose it because it will be needed if you are required to remove the RAC crank arm in the future. Thread the black barrel end of the tool into the crank arm until it stops, at least 4~5 full turns.



3. Thread the silver bolt all the way into the black barrel until it stops. Place the red handled wrench onto the hex part of the silver barrel and turn clockwise until the crank arm becomes loose. Remove crank arm.



4. Install the RAC crank arm onto the axle. Locate the nut that was removed in step 2 and thread it onto the axle using the socket end of the removal tool. Tighten the nut as tight as you can to prevent it from becoming loose. Install the dust cap when finished.



5. Install and tighten the pedals. When tightening the pedal it is much easier if the opposite end of the wrench is oriented so it points toward the crank axle as shown below. If the wrench faces the opposite direction it is very difficult to tighten the pedal properly. The same is true for tightening the axle nut in step 4 above.



When the assembly is completed pedal the bike to test the new cranks. If you feel slight hesitation at points in the rotation or a clicking noise check that the crank nut and pedals are very tight. Also make sure the adjustment knob on the adjustable slide is tight.

IMPORTANT NOTICE:

CHECK BEFORE EACH USE TO SEE THAT THE CRANKS AND PEDALS ARE SECURELY FASTENED – IF NOT RE-TIGHTEN THE BOLTS.

Passive Arm

With the addition of the passive arm, a patient with insufficient strength may actually utilize the involved limb in pedaling as it is passively ranged by the uninvolved limb within his/her prescribed range-of-motion. The passive arm swings loose so no force can be applied by the patient.

NOTE: The passive arm can also be installed on a standard crank arm.

Installation:

Step 1: Remove Pedal



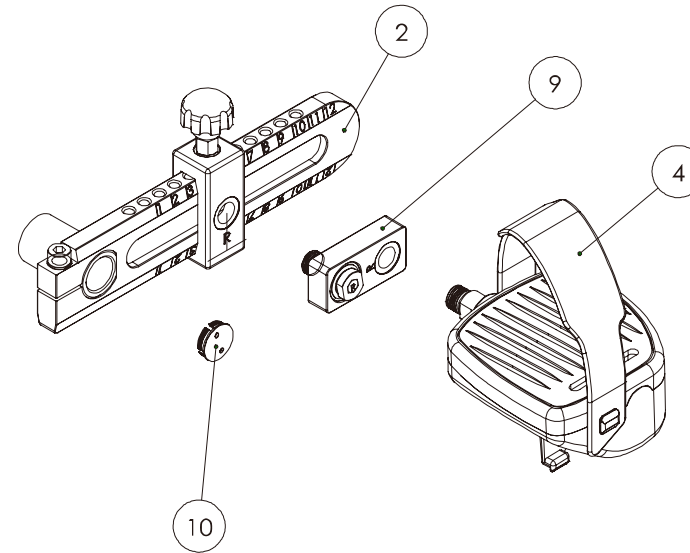
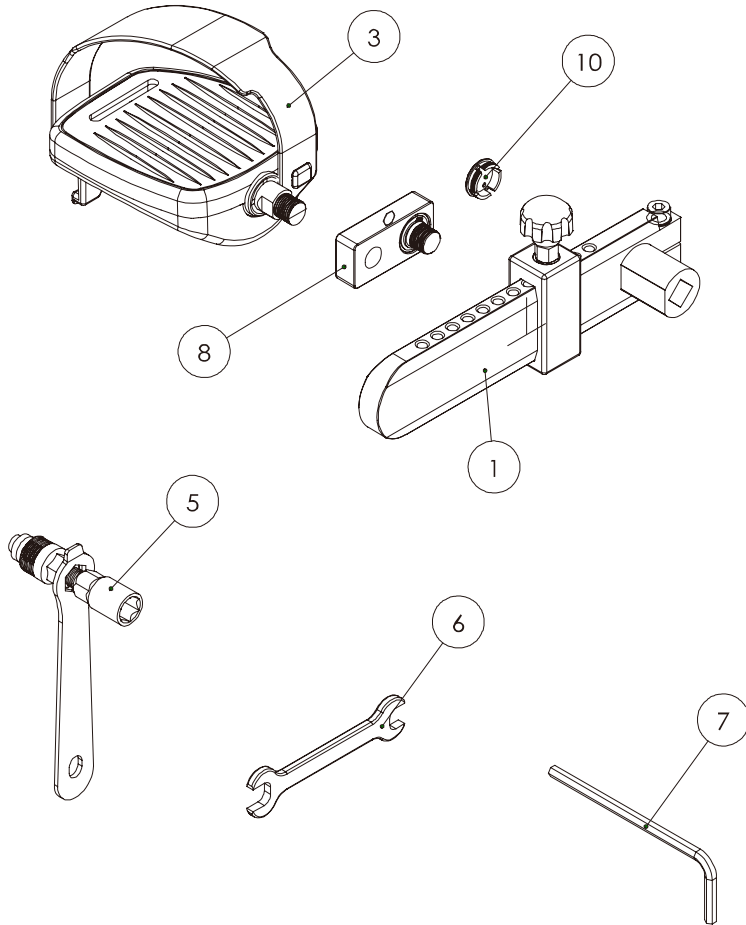
Step 2: Install Passive Arm



Step 3: Install Pedal on Passive Arm



RAC Adaptive Kit Exploded View Drawing



Item #	DESCRIPTION	Part Number	Qty
1	Crank Arm Adjustor L	CC060083	1
2	Crank Arm Adjustor R	CC060084	1
3	PEDAL,LEFT	N150016-A1	1
4	PEDAL,RIGHT	N150017-A1	1
5	Crank Removal Tool	C141014	1
6	WRENCH,14-15mm	J330041	1
7	ALLEN WRENCH 6mm	J330036	1
8	Small Crank Arm Adjustor L	CC060085	1
9	Small Crank Arm Adjustor R	CC060086	1
10	Crank Arm End Cap	P280009	2

Manufacturer's Limited Warranty

Dyaco Canada Inc. warrants this product for a period of one (1) year from the date of retail sale, as determined by a sales receipt or in the absence of a sales receipt. Dyaco Canada Inc.'s responsibilities include providing new or remanufactured parts, at Dyaco Canada Inc.'s option, and technical support to our independent dealers and servicing organizations. In the absence of a dealer or service organization, these warranties will be administered by Dyaco Canada Inc. directly to a consumer.

This warranty is not transferable and is extended only to the original owner.

The warranty shall not apply to units which are subject to misuse, neglect, accident or unauthorized repair and alterations. This warranty provided herein is lieu of all other express warranties, any implied warranties, including any implied warranties of merchantability of fitness for particular purpose, are limited in duration to the first months from date of purchase. All other obligations or liabilities, including liability for consequential damages are hereby excluded.

REPAIR PARTS AND SERVICE

All of the parts for the Spirit product shown in figure can be ordered from Dyaco Canada Inc. 5955 DON MURIE STREET, NIAGARA FALLS, ONTARIO L2G 0A9. When ordering parts, the parts will be sent and billed at the current prices. Prices may be subject to change without notice. Check or money order must accompany all orders. Standard hardware items are available at your local hardware store.

To ensure prompt and correct handling of any errors, or to answer any questions, please call our Toll Free number: 1-888-707-1880, or local number 1-905-353-8955 or fax 1-905-353-8968, email customerservice@dyaco.ca or visit our website at www.dyaco.ca. Office hours are from 8:30 AM to 5:00 PM Monday to Friday Eastern Standard Time.

Always include the following information when ordering parts

- Model number
- Name of each part
- Part number of each part



Please visit us online for information about our other brands and products manufactured and distributed by Dyaco Canada Inc.



www.dyaco.ca



www.dyaco.ca



www.dyaco.ca



www.dyaco.ca



www.spiritfitness.ca
www.dyaco.ca



www.spiritmedical.ca
www.dyaco.ca



www.solefitness.ca
www.dyaco.ca



www.trainorsports.ca
www.dyaco.ca



www.xterrafitness.ca
www.dyaco.ca